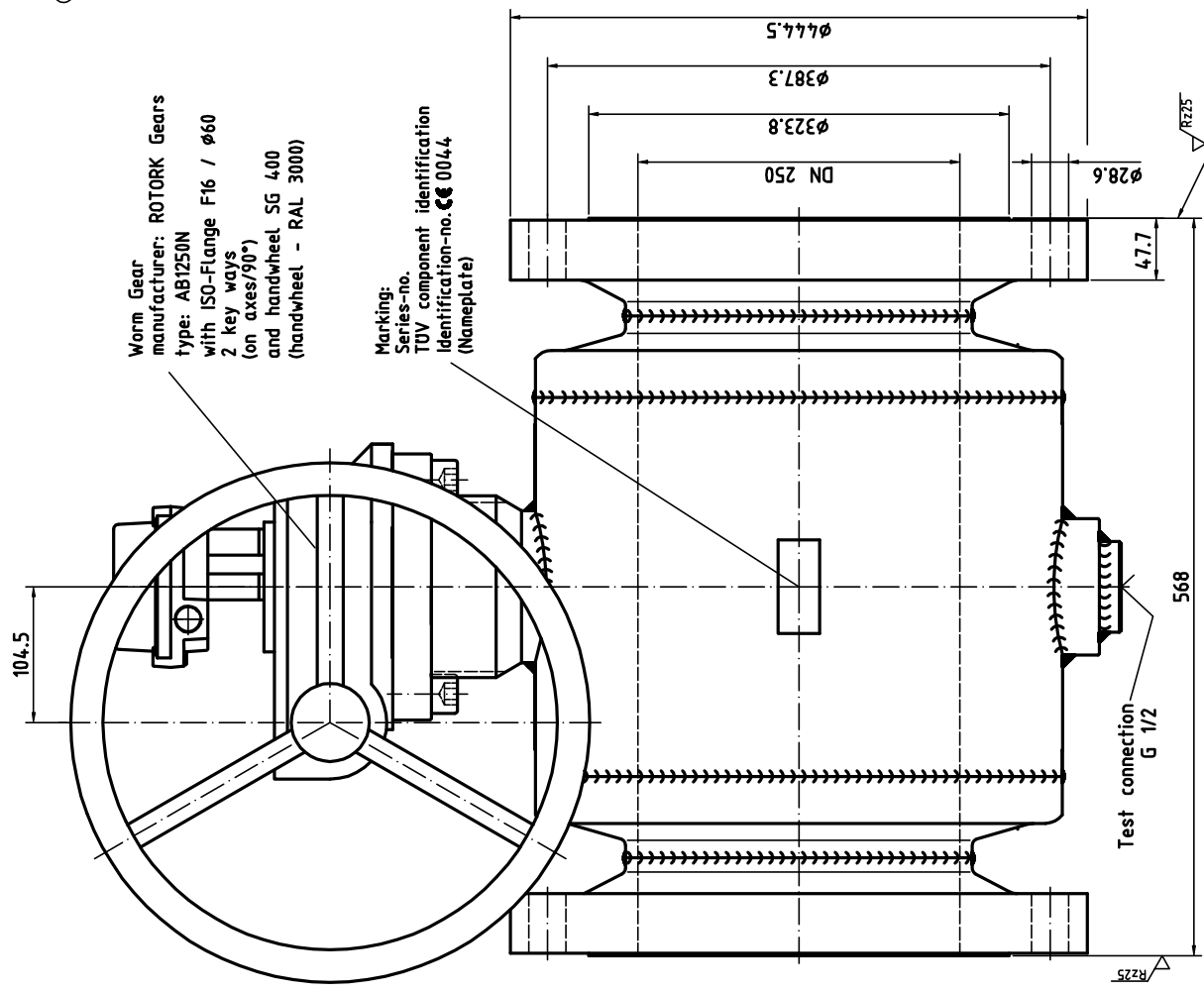


① 2 proximity switches
type NJ2-V3-N, Fa.P.F
inside Aluminium-body
CIRCA 7010A

Worm Gear
manufacturer: ROTORK Gears
type: AB1250N
with ISO-Flange F16 / $\phi 60$
2 key ways
(on axes/90°)
and handwheel SG 400
(handwheel - RAL 3000)

Marking:
Series-no.
TUV component identification
identification-no. 0044
(Nameplate)



Test connection
G 1/2

ZWEIG		DATE	NAME	MATERIAL	Page 1/3
PROJEKT		REVIS	LEIT.		
ZEICHNUNG		DRAWING NO.			
PROJEKT		9.075.250.059.00.01			
PROJEKT		DOCUMENT			
PROJEKT		DN250 Class300-RF Sourgas-Design with Worm Gear and EG type tested			
PROJEKT		EG-NO.			
PROJEKT		075722-01-08-01-20			
PROJEKT		EG-NO.			
PROJEKT		075.34.25005019222			