

4 poles - 1500/1800 rpm

	Description				Mechanical specifications								Electrical specifications					
	Code	Type	SIZE	II2D Temp. class	Static moment* kgmm		Centrifugal force				Weight kg		Max input power W		Max. current A		I _a /I _N	
					50 Hz	60 Hz	50 Hz	60 Hz	50 Hz	60 Hz	50 Hz	60 Hz	50 Hz	60 Hz	400 V 50 Hz	460 V 60 Hz	50 Hz	60 Hz
three-phase	601340	MVSI 15/35-S02	00	• 120°C	12.0	12.0	30.2	43.5	0.30	0.43	5.60	5.60	85	95	0.21	0.20	1.78	1.95
	601341	MVSI 15/80-S02	01	• 120°C	31.0	21.0	77.9	76.1	0.76	0.75	6.70	6.40	85	95	0.21	0.20	1.78	1.95
	601366	MVSI 15/100-S02	01	• 120°C	38.9	31.0	97.9	112	0.96	1.10	7.10	6.70	85	95	0.21	0.20	1.78	1.95
	601367	MVSI 15/200-S02	10	• 120°C	84.2	58.8	213	214	2.09	2.10	12.5	11.7	170	170	0.41	0.40	2.34	2.75
	601372	MVSI 15/400-S02	20	• 120°C	163	113	412	411	4.04	4.03	19.0	18.2	300	350	0.60	0.60	3.33	3.50
	601373	MVSI 15/550-S02	20	• 120°C	219	163	552	592	5.42	5.81	20.4	19.0	300	350	0.60	0.60	3.33	3.50
	601408	MVSI 15/700-S02	30	• 120°C	286	209	720	760	7.06	7.46	27.5	26.2	525	665	0.92	0.98	3.48	3.43
	601513	MVSI 15/900-S02	30	• 120°C	357	286	900	1037	8.83	10.2	30.0	27.5	525	665	0.92	0.98	3.48	3.43
	601524	MVSI 15/1100-S02	35	• 120°C	415	271	1045	982	10.3	9.63	35.0	30.5	550	680	0.95	0.95	4.45	4.89
	601217	MVSI 15/1410-S02	40	• 120°C	561	400	1413	1449	13.9	14.2	44.0	41.0	900	1050	1.45	1.50	4.10	4.20
	601219	MVSI 15/1710-S02	50	• 150°C	715	485	1798	1757	17.6	17.2	51.0	48.5	1100	1200	2.00	1.90	4.29	4.89
	601267	MVSI 15/2000-S02	50	• 170°C	817	561	2054	2033	20.1	19.9	55.5	51.5	1350	1450	2.50	2.30	4.30	4.90
	601220	MVSI 15/2410-S08	60	• 150°C	962	674	2420	2444	23.7	24.0	71.0	66.0	1600	1700	3.20	3.00	6.09	7.23
	601268	MVSI 15/3000-S08	60	• 135°C	1235	858	3106	3107	30.5	30.5	80.0	73.5	1900	2000	3.80	3.50	6.50	7.50
	601221	MVSI 15/3810-S02	70	• 135°C	1526	1034	3840	3744	37.7	36.7	119	110	2200	2500	3.90	3.90	7.11	6.92
	601269	MVSI 15/4300-S02	70	• 135°C	1720	1173	4326	4250	42.4	41.7	123	117	2500	2800	4.80	4.65	5.90	7.10
	601211	MVSI 15/5010-S02	80	• 135°C	1990	1364	5007	4941	49.1	48.5	161	153	3600	3400	6.00	5.00	7.02	8.00
	601447	MVSI 15/6000-S02	80	• 135°C	2248	1677	5654	6075	55.5	59.6	163.5	155	3600	3400	6.00	5.00	7.02	8.00
	601165	MVSI 15/7000-S02	90	• 135°C	2598	1822	6536	6600	64.1	64.7	208	195	6000	6000	10.5	9.00	6.48	7.67
	601166	MVSI 15/9000-S90	95	□ 135°C	3260	2260	8199	8183	80.4	80.3	225	210	7000	8000	11.6	11.5	5.43	5.57
601204	MVSI 15/9500-S02	97	□ 135°C	3346	2462	8416	8916	82.6	87.5	317	303	7500	8500	12.2	12.0	6.56	6.67	
601205	MVSI 15/11500-S90	100	□ 135°C	4544	3166	11430	11467	112	112	433	411	10000	10500	17.5	15.5	7.03	8.00	
601271	MVSI 15/14500-S90	100	□ 135°C	5614	4126	14120	14940	138	147	458	424	11000	12000	20.0	20.0	8.00	8.00	
single-phase	601340	MVSI 15/35-S02	00	• 120°C	12.0	12.0	30.2	43.5	0.30	0.43	5.60	5.60	90	100	0.43	1.00	1.20	1.30
	601341	MVSI 15/80-S02	01	• 120°C	31.0	21.0	77.9	76.1	0.76	0.75	6.70	6.40	90	100	0.43	1.00	1.20	1.30
	601366	MVSI 15/100-S02	01	• 120°C	38.9	31.0	97.9	112	0.96	1.10	7.10	6.70	90	100	0.43	1.00	1.20	1.30
	601367	MVSI 15/200-S02	10	• 120°C	84.2	58.8	213	214	2.09	2.10	12.5	11.7	210	230	1.00	2.00	1.50	1.85
	601372	MVSI 15/400-S02	20	• 120°C	163	113	412	411	4.04	4.03	19.0	18.2	240	320	1.20	2.80	2.50	2.21
	601373	MVSI 15/550-S02	20	• 120°C	219	163	552	592	5.42	5.81	20.4	19.0	240	320	1.20	2.80	2.50	2.21
	601408	MVSI 15/700-S02	30	• 120°C	286	209	720	760	7.06	7.46	27.5	26.2	450	550	2.15	5.15	5.44	3.63

** Working moment = 2 x static moment. □ CSA certification on request, with feeding line included. I_a/I_N = ratio between start-up current and maximum current.

4 poles - 1500/1800 rpm

	Type	Dimensional specifications (mm)														Capacitor (µF)		Cable entry thread
		Fig.	A	B	C	Holes				F	H	I	L	M	N	220 V 50 Hz	115 V 60 Hz	
three-phase	MVSI 15/35-S02	A	211	153	125	62-74** 106 9 4				24	61	46	103	100	117	-	-	M20x1,5
	MVSI 15/80-S02	A	235	153	125	62-74** 106 9 4				24	61	58	103	100	117	-	-	M20x1,5
	MVSI 15/100-S02	A	249 (50Hz) 235 (60Hz)	153	125	62-74** 106 9 4				24	61	65 (50Hz) 58 (60Hz)	103	100	117	-	-	M20x1,5
	MVSI 15/200-S02	A	301	179	152	90 125 13 4				28	73	77	127	128	141	-	-	M20x1,5
	MVSI 15/400-S02	A	344	203	167	105 140 13 4				30	82.5	93	145	140	160	-	-	M25x1,5
	MVSI 15/550-S02	A	386	203	167	105 140 13 4				30	82.5	114	145	140	160	-	-	M25x1,5
	MVSI 15/700-S02	A	394	216	205	120 170 17 4				45	93.5	106	170	160	182	-	-	M25x1,5
	MVSI 15/900-S02	A	394	216	205	120 170 17 4				45	93.5	106	170	160	182	-	-	M25x1,5
	MVSI 15/1100-S02	A	435	225	205	120 170 17 4				54	104.5	117.5	187	162	203	-	-	M25x1,5
	MVSI 15/1410-S02	A	448	246	230	140 190 17 4				54	116	108	207	190	225	-	-	M25x1,5
	MVSI 15/1710-S02	A	500	246	230	140 190 17 4				54	116	134	207	190	225	-	-	M25x1,5
	MVSI 15/2000-S02	A	574	246	230	140 190 17 4				54	116	171	207	180	225	-	-	M25x1,5
	MVSI 15/2410-S08	A	537	272	275	155 225 22 4				70	130	137	238	210	253	-	-	M25x1,5
	MVSI 15/3000-S08	A	617	272	275	155 225 22 4				70	130	177	238	210	253	-	-	M25x1,5
MVSI 15/3810-S02	A	584	321	310	155 255 23.5 4				77	157	137	277	215	295	-	-	M25x1,5	
MVSI 15/4300-S02	A	666 (50Hz) 584 (60Hz)	321	310	155 255 23.5 4				77	157	178 (50Hz) 137 (60Hz)	277	215	295	-	-	M25x1,5	
MVSI 15/5010-S02	A	630	347	340	180 280 26 4				80	165	150	303	240	320	-	-	M32x1,5	
MVSI 15/6000-S02	A	630	347	340	180 280 26 4				80	165	150	303	240	320	-	-	M32x1,5	
MVSI 15/7000-S02	A	680	370	390	200 320 28 4				90	180	160	330	270	350	-	-	M32x1,5	
MVSI 15/9000-S90	A	629	395	392	200 320 28 4				100	192	134,5	355	270	375	-	-	M32x1,5	
MVSI 15/9500-S02	C	862	437	460	125 380 39 6				35	215	230	387	320	414	-	-	M32x1,5	
MVSI 15/11500-S90	C	990	454	530	140 440 45 6				38	230	240	423	370	448	-	-	M32x1,5	
MVSI 15/14500-S90	C	990	454	530	140 440 45 6				38	230	240	423	370	448	-	-	M32x1,5	

Fig. A

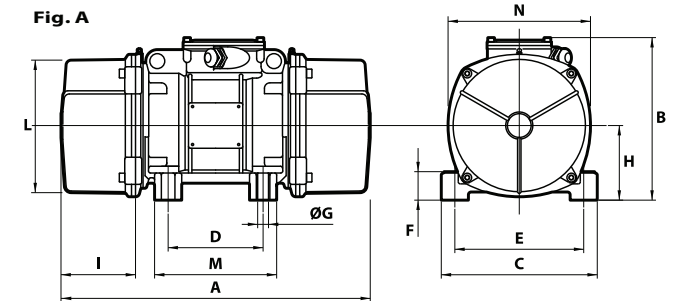
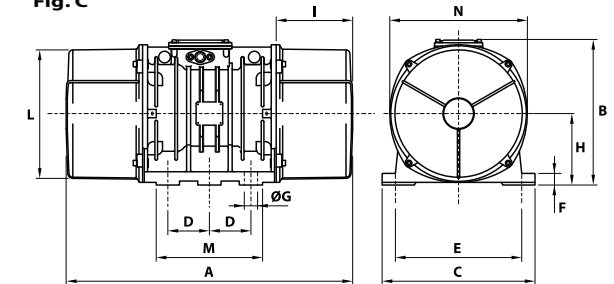


Fig. C



single-phase	MVSI 15/35-S02	A	211	153	125	62-74** 106 9 4				24	61	46	103	100	117	3.15	25	M20x1,5
	MVSI 15/80-S02	A	235	153	125	62-74** 106 9 4				24	61	58	103	100	117	3.15	25	M20x1,5
	MVSI 15/100-S02	A	249 (50Hz) 235 (60Hz)	153	125	62-74** 106 9 4				24	61	65 (50Hz) 58 (60Hz)	103	100	117	3.15	25	M20x1,5
	MVSI 15/200-S02	A	301	179	152	90 125 13 4				28	73	77	127	128	141	5	25	M20x1,5
	MVSI 15/400-S02	A	344	203	167	105 140 13 4				30	82.5	93	145	140	160	32/12 ◐	35	M25x1,5
	MVSI 15/550-S02	A	386	203	167	105 140 13 4				30	82.5	114	145	140	160	32/12 ◐	40/35 ◐	M25x1,5
	MVSI 15/700-S02	A	381	210	205	120 170 17 4				45	91.5	88	168	160	178	96/16 ◐	160/40 ◐	M25x1,5

** Slot ◐ Start-up capacitor / Running capacitor. Several sizes are available with different mounting bolt patterns. Please contact sales office at Italvibras.