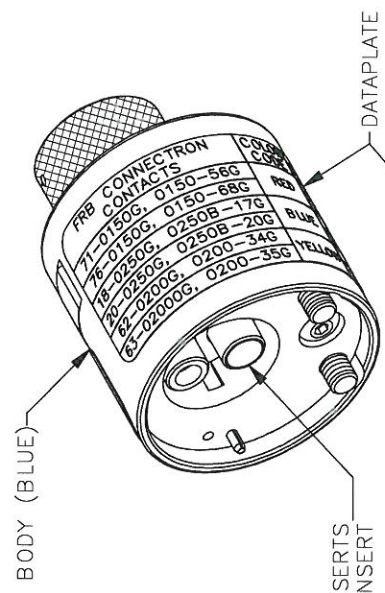
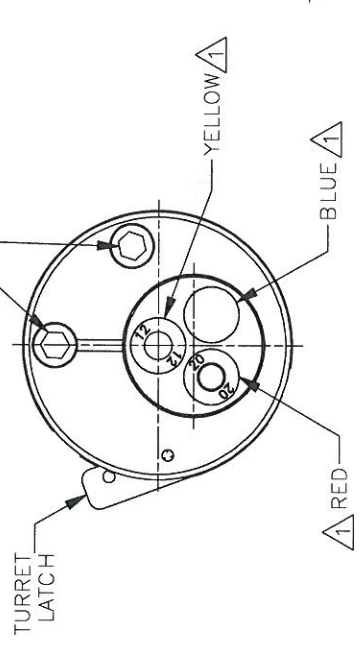
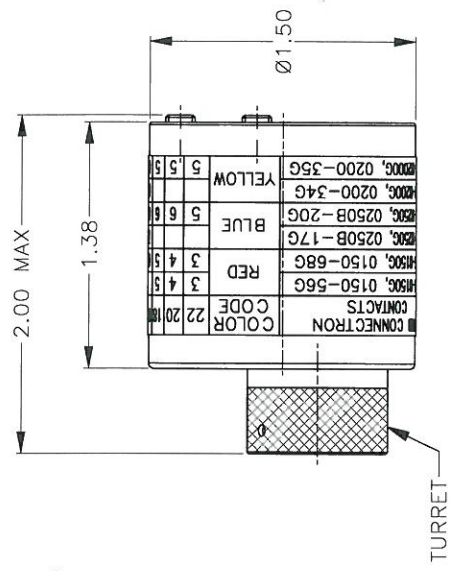


REV. NUMBER	DESCRIPTION	BY DATE	APP'D. DATE
1	ORIGINAL RELEASE	03-11-10	

UNCONTROLLED DOCUMENT  
WILL NOT BE UPDATED



FRB CONNECTRON CONTACTS	COLOR CODE	22	20	18	16	14	WIRE SIZE
71-0150G, 0150-56G	RED	3	4	5			
76-0150G, 0150-68G	RED	3	4	5	6	7	
18-0250G, 0250B-17G	BLUE				7	7	SEL NO.
20-0250G, 0250B-20G	BLUE	5	6	6	6		
62-0200G, 0200-34G	YELLOW				6	7	
63-0200G, 0200-35G	YELLOW	5	5	5	6		

INSERT COLOR	HOLE DIMENSIONS	ADDITIONAL FEATURES
YELLOW	∅.193 ▽THRU	∟∅.218 ▽.176
BLUE	∅.109 ▽.569	∟∅.221 ▽.219
RED	∅.140 ▽THRU	∟∅.161 ▽.104

RESTRICTED & CONFIDENTIAL	ITEM	PART NO.	QTY.	DESCRIPTION/REMARKS
CONFIDENTIAL PROPERTY OF DANIELS MANUFACTURING CORP. NOT TO BE REPRODUCED OR USED FOR ANY OTHER PURPOSE EXCEPT AS AUTHORIZED IN WRITING BY DANIELS MANUFACTURING. MUST BE RETURNED TO DANIELS MANUFACTURING CORP. UPON COMPLETION OF ORDER OR OTHER PURPOSE FOR WHICH LENT.	FRB CONNECTRON CONTACTS			
DATE: 02-11-10	DATE: 02-11-10	DATE: 02-11-10	DATE: 02-11-10	DATE: 02-11-10
WHERE USED: FT8	SIZE: B	SCALE: 1.5X	CAD P/N: SH463-ENV	SHEET OF: 1
NOTE: THIS DRAWING IS AN OUTLINE DRAWING OF THE RESPECTIVE PART NUMBER IS DRAWING NUMBER WITHOUT THE "-ENV" SUFFIX	HEAT TREAT	FINISH	TURRET HEAD ENVELOPE DRAWING	REV. 1
DO NOT SCALE DRAWING				

NOTE: FOR USE WITH DANIELS CRIMP TOOLS ACCOMMODATING "TH" SERIES POSITIONERS