

Contactless Linear Sensor

LP-10HA Series

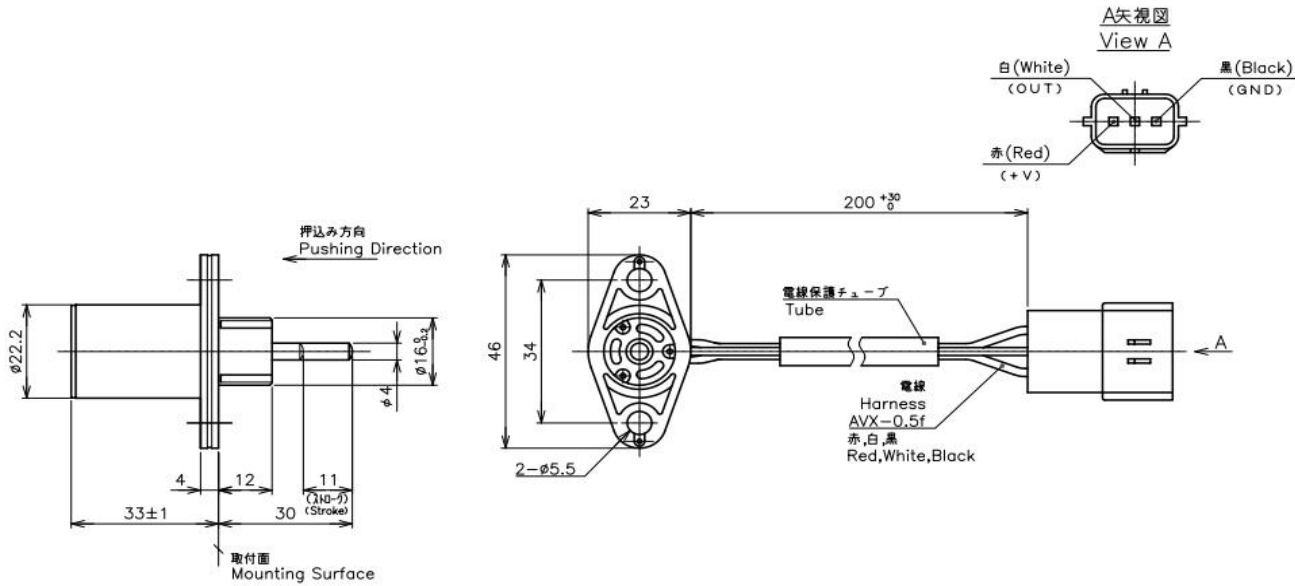


- Contactless Linear Sensor
- Effective Electrical Travel : 10mm
- Absolute Linearity : $\pm 1.6\%$ FS
- Ratio Output

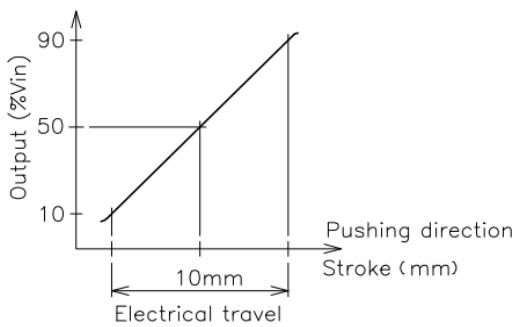
【Material】

- Housing : PBT
- Shaft : Stainless Steel
- Shaft Bearing : Copper Alloy

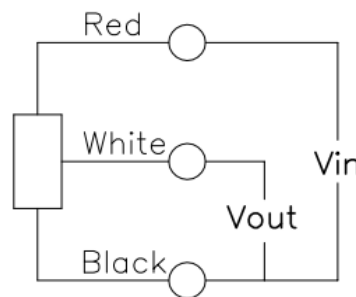
Dimension [mm]



Output Characteristics

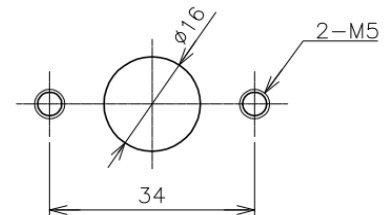


Schematic



• Red,White,Black indicate wire colors.

Mounting



【Model No.】	LP-10HA
--------------------	----------------

【Electrical Specifications】		
Effective Electrical Travel	10	mm
Output Range	10~90	%Vin
Absolute Linearity (Independent Linearity)	±1.6 (±1.1) FS=10mm	%FS
Input Voltage	DC5±0.5	V
Load Resistance	10~100	kΩ
Supply Current	16 MAX.	mA
Insulation Resistance	100 MIN.	MΩ/DC50V
Output Resolution	10 (0~100%Vin)	bit
Temp. Characteristics -40°C~100°C (Reference Temp. 25°C)	±0.30	mm

【Mechanical Specifications】		
Total Mechanical Travel	11±1	mm
Friction	0.8~2.45	N
Stopper Strength	98 MIN.	N
Mass	Approx. 51	g

【Environmental Specifications】		
Life Cycles	MIN. 10 Million	Cycle
Category Temperature Range	-40~100 (No condensation)	°C
Storage Temperature Range	-40~100 (No condensation)	°C
Vibration	98m/s ² 200~2000Hz	
Shock	1000m/s ² (100G) 3axis 3times	
EMS	100V/m 200~1000MHz	
ESD (Case ~ Each Terminal)	±25	kV
ESD (Each Terminal)	±25	kV
IP Level	IP65 (Except mounting surface side and connector end)	

■ Handling Instruction

- Do not use Hall-IC sensor as a variable resistor.
- This product may be influenced from external magnetic field.
- Use this sensor in the place where is protected from ESD.