



ZÖLLNER
SIGNAL SYSTEM TECHNOLOGIES

Installation shipset class II 75 - <200 m

ZET-Horn 131/141AC

Makrofon M75F/260

Signal Automaton 6+S

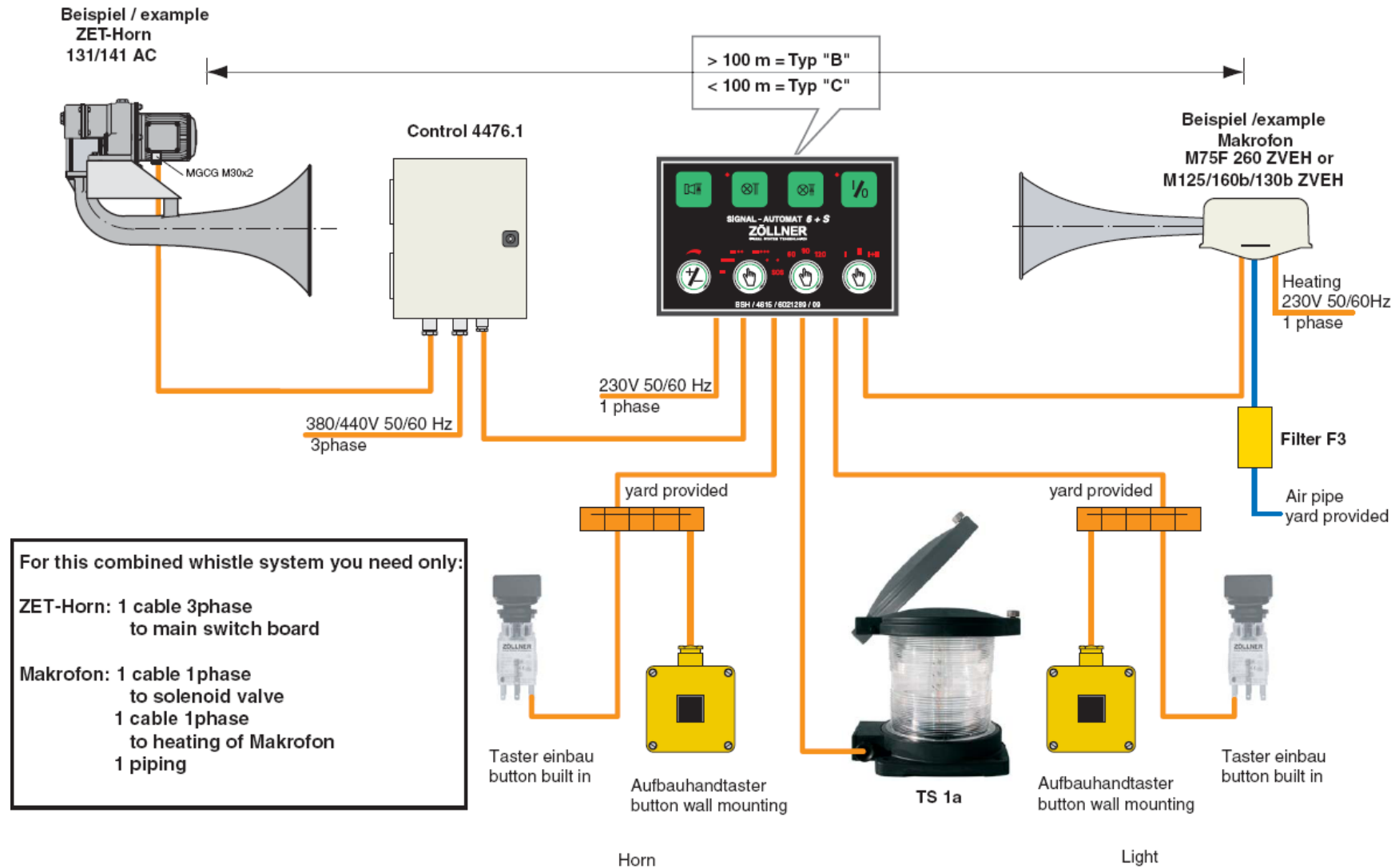
Maneuver Signal Lamp TS1a

Push-buttons

Extras: SRD / Bell / Gong

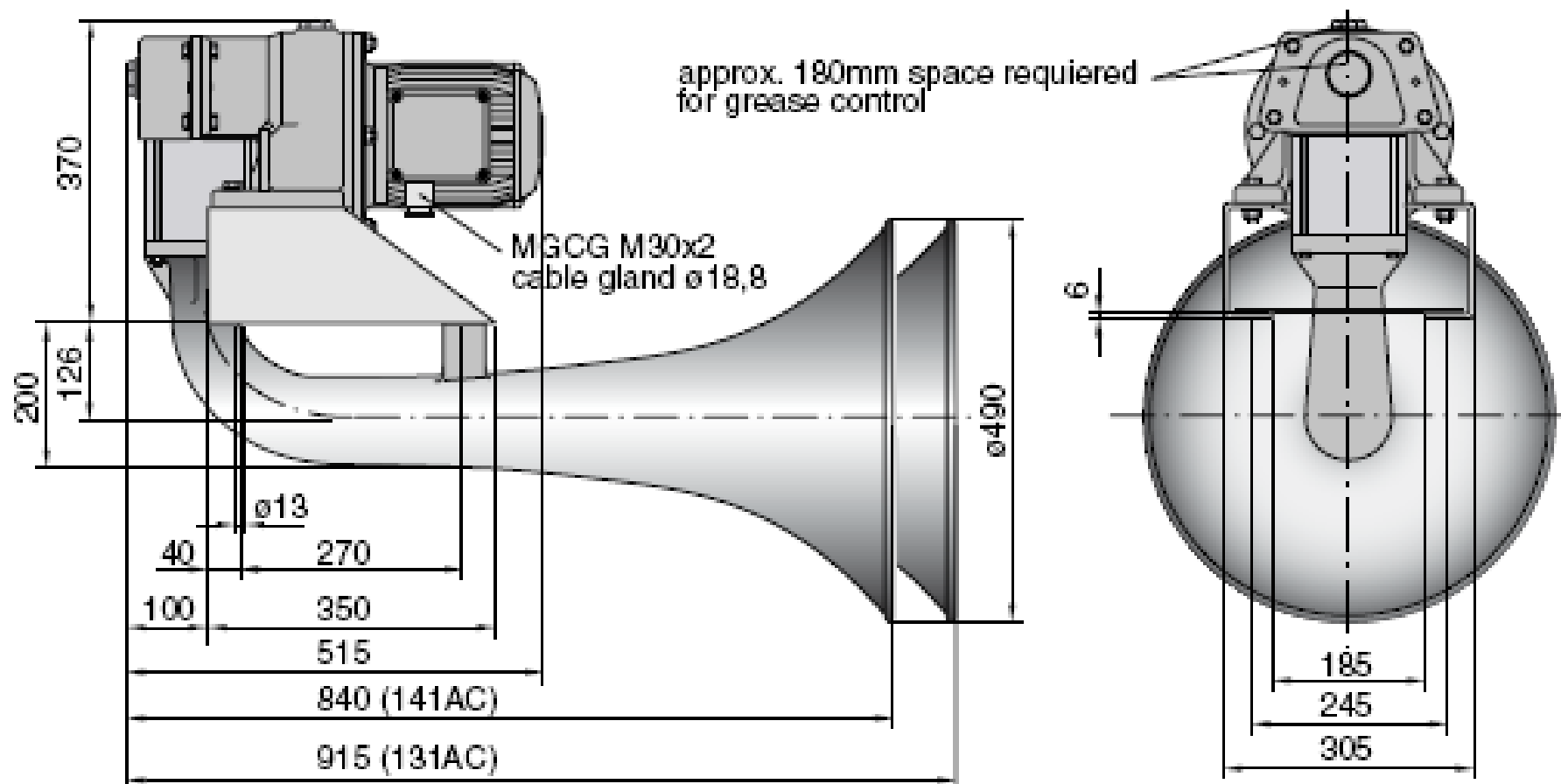
Overview shipset class II

Schiffslänge L.O.A. 75 - < 200 m



ZET-Horn 131/141AC

without vibration dampers



Pictures ZET-Horn

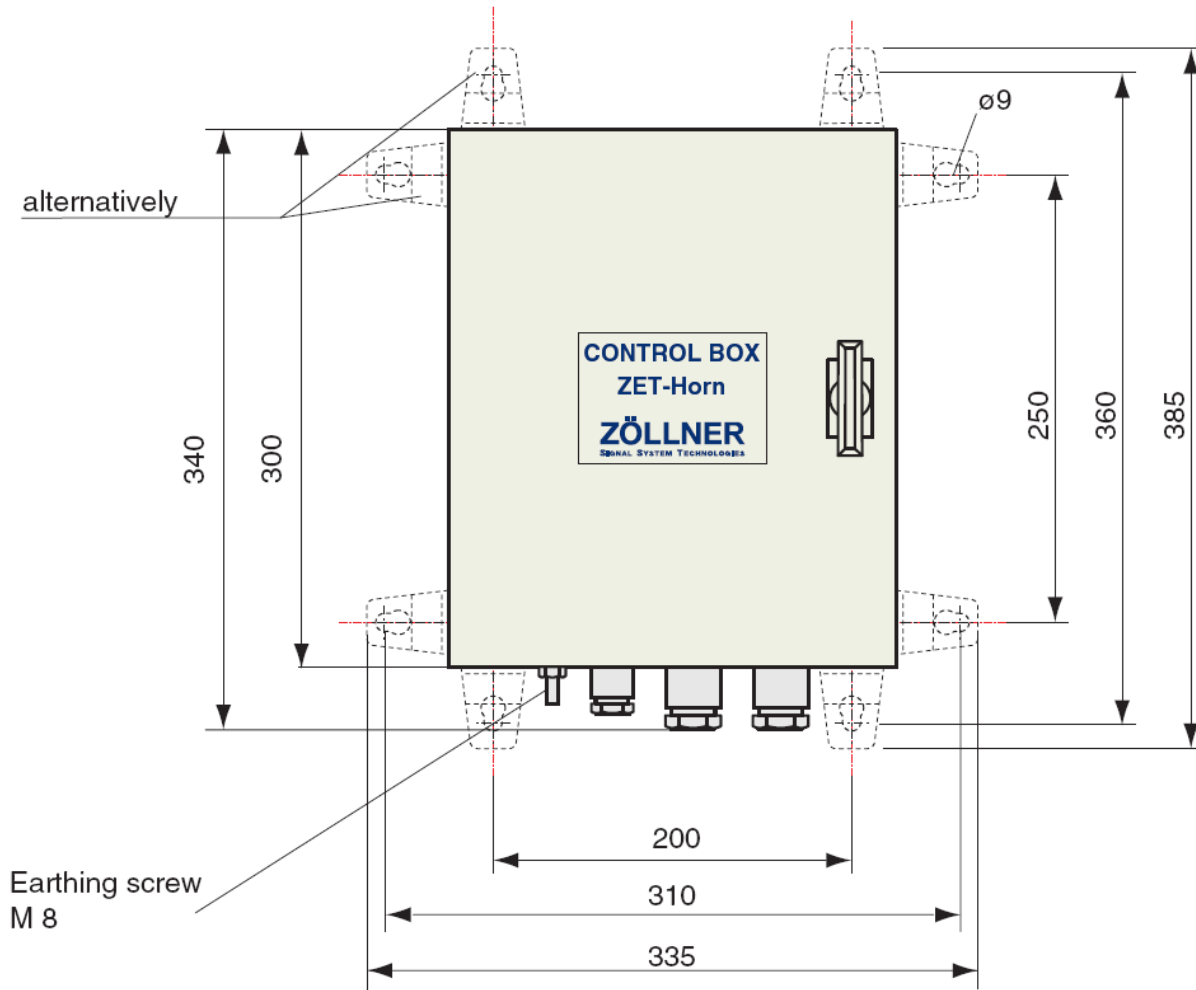


3 phase 440V U V W



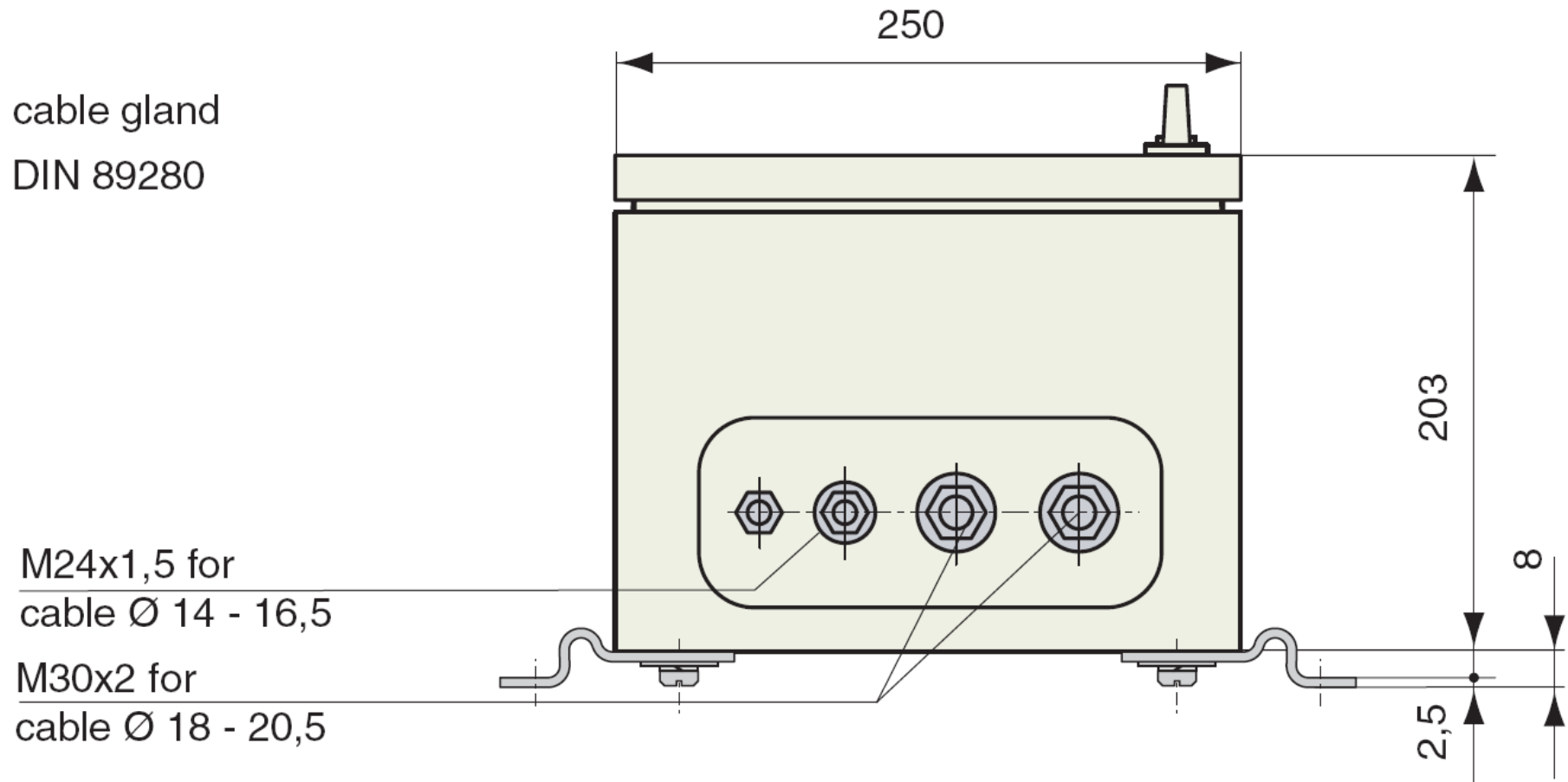
Control box 4476.1

for ZET-Horn



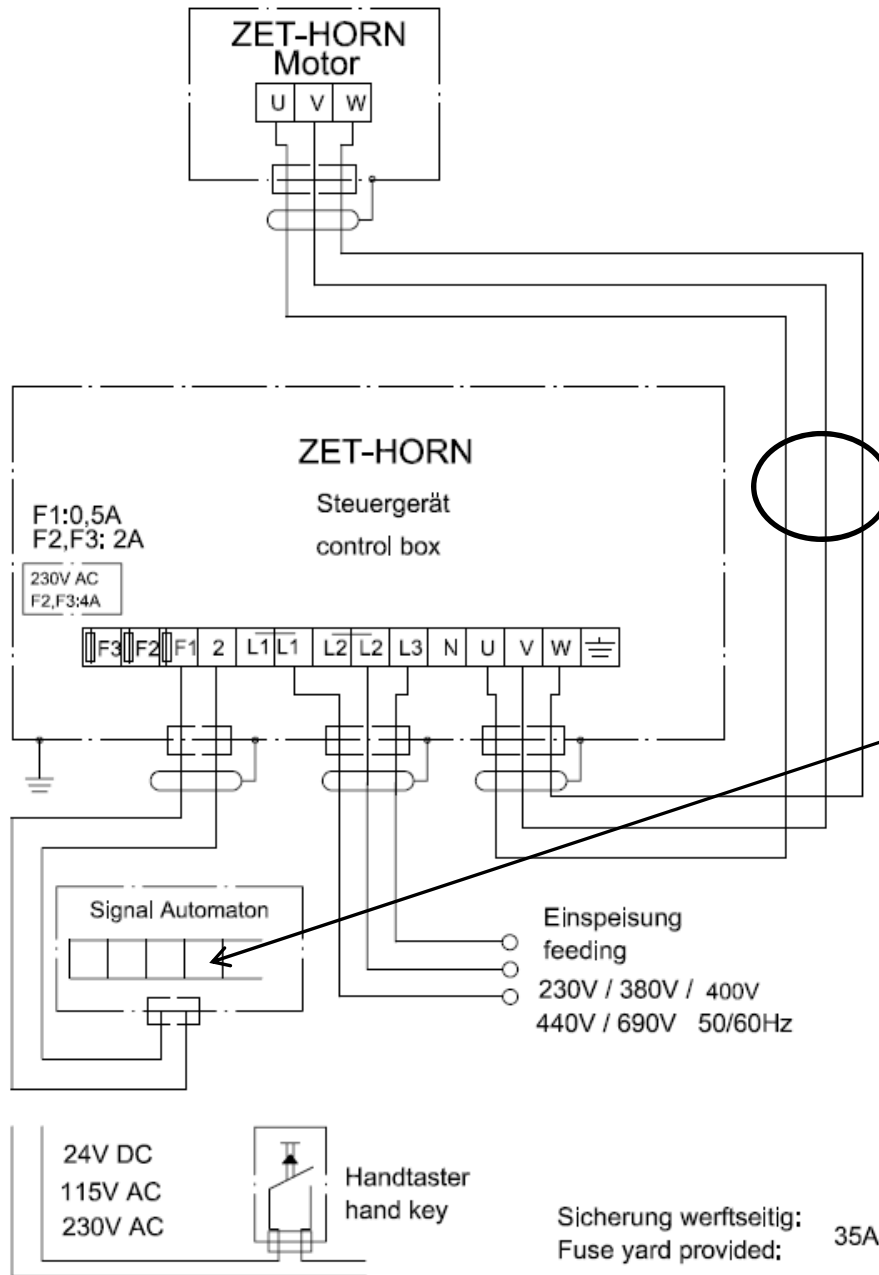
weight approx. 8,7 kg
cable gland according to DIN 89280 for MGCG cable

Control box 4476.1



Connection diagram

ZET-Horn with control box 4476.1



include anti-condensation heating

6+S or 10+SBG



In this ZET-Horn control box (4476) everything is checked.

The timer is adjusted !

Fuse is checked and adjusted !

All control boxes get a 100% factory check !

The customer must only connect cables to the terminal strip, nothing more !

Tasterleitungen verdreht oder abgeschirmt verlegen!
Lay cables for signal keys twisted or screened!

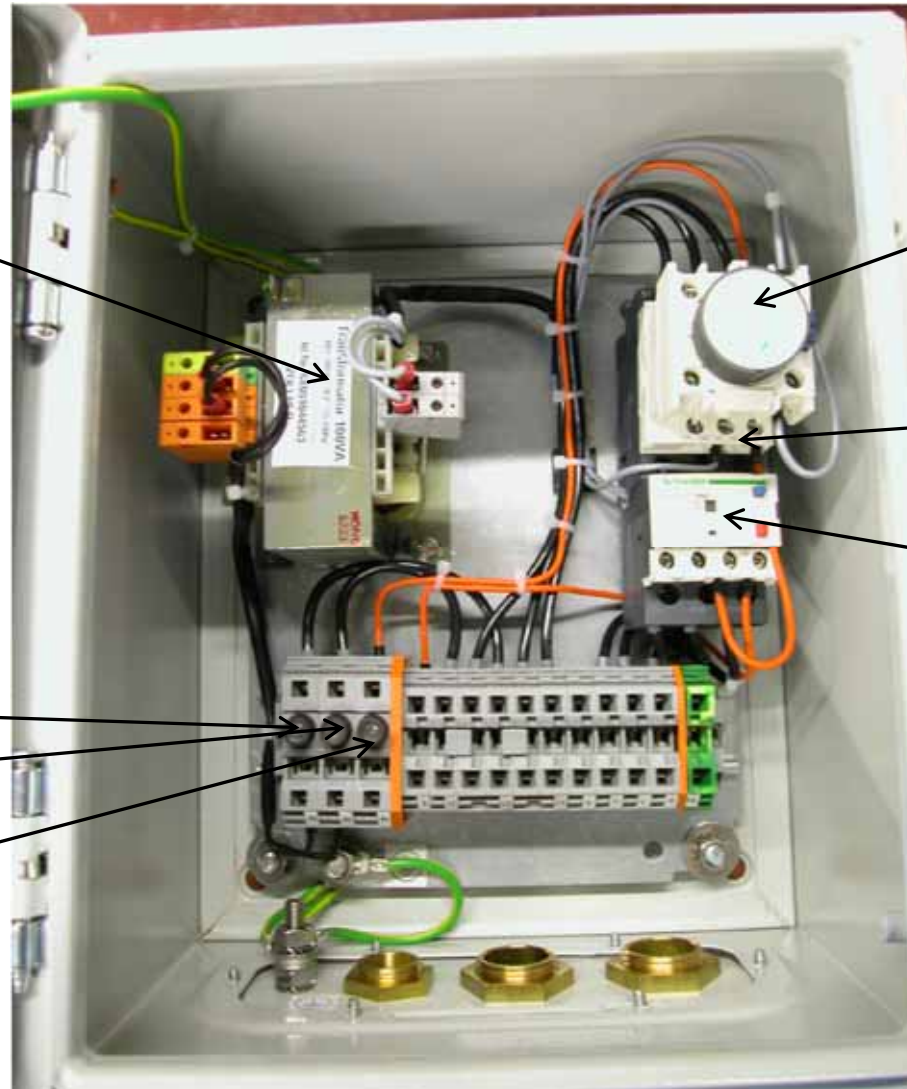
Picture control box 4476.1

transformer for
anti-condensation
heating

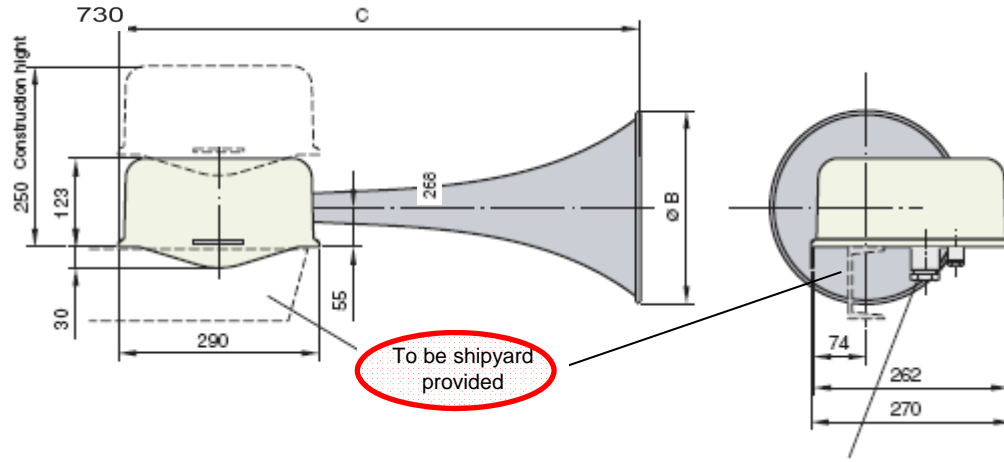
timer for anti-
condensation
heating on top
of contactor

bimetal fuse

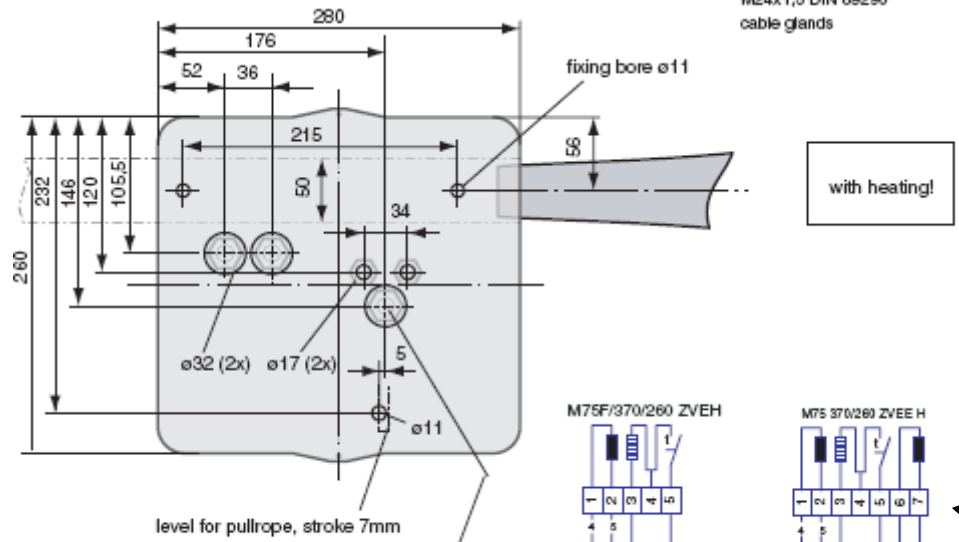
fuse for
stand-by
and control
contactor



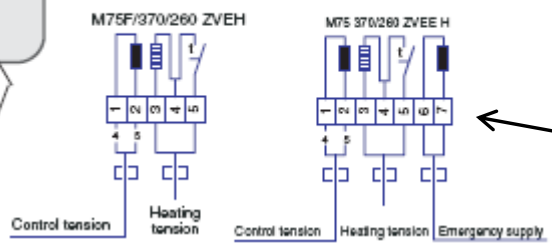
MAKROFON M75F/260



M24x1,5 DIN 89290 cable glands

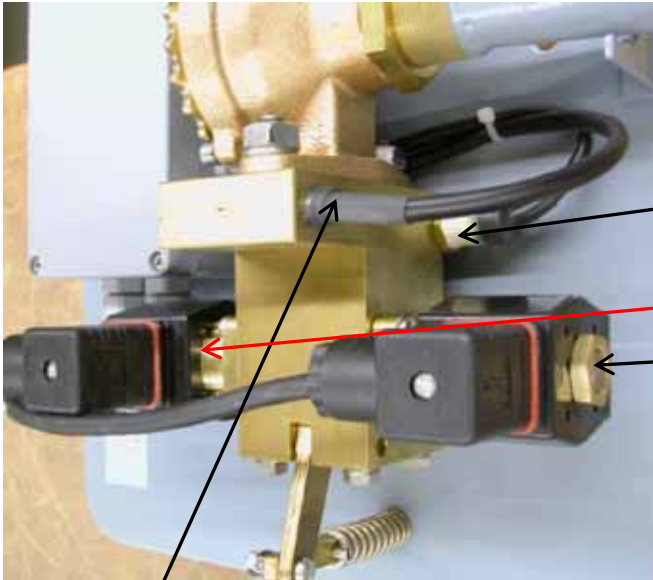


pipe connection for Ø10 outside
(> 10 m 1/2 inch Ø15 outside)



Connecting diagram

Picture M75F/260



heating element

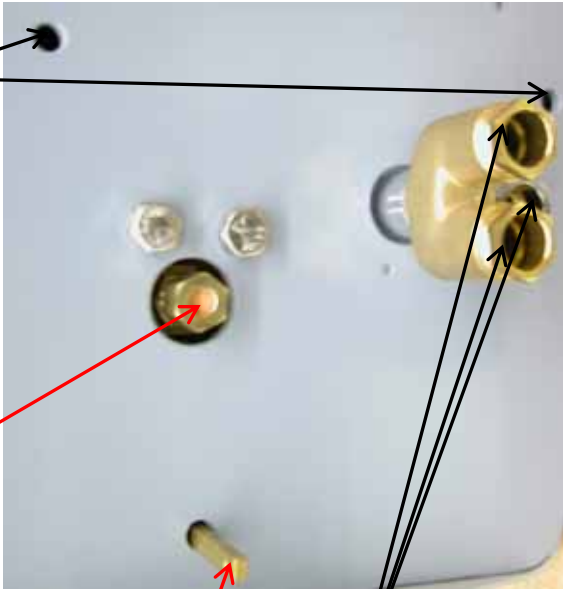
thermostat

valve 1 and
(valve 2
emergency)



connection
control

connection
heating



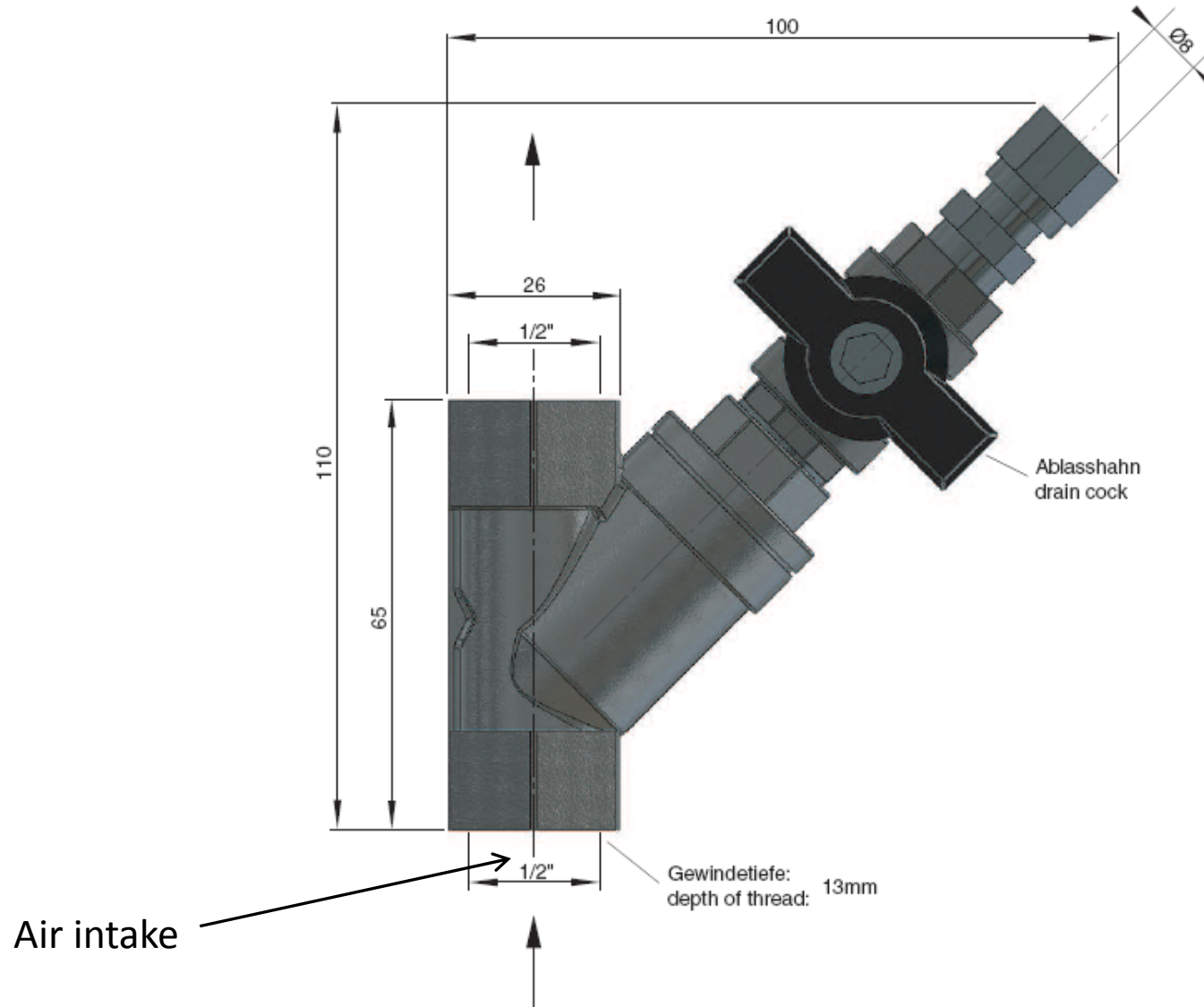
bore hole for
mounting

Air intake

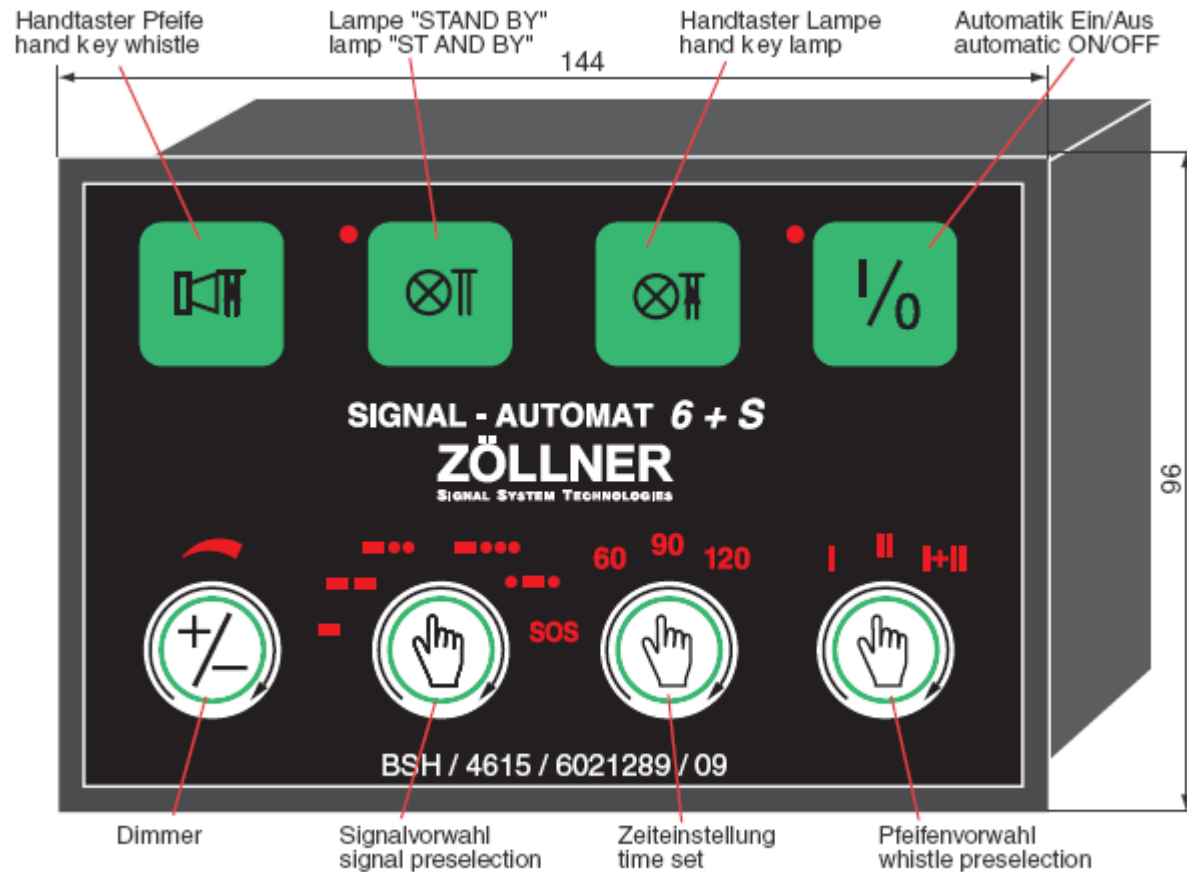
cable gland
for valve and
heating

connection pullrope

Air filter F3



Signal Automaton 6+S

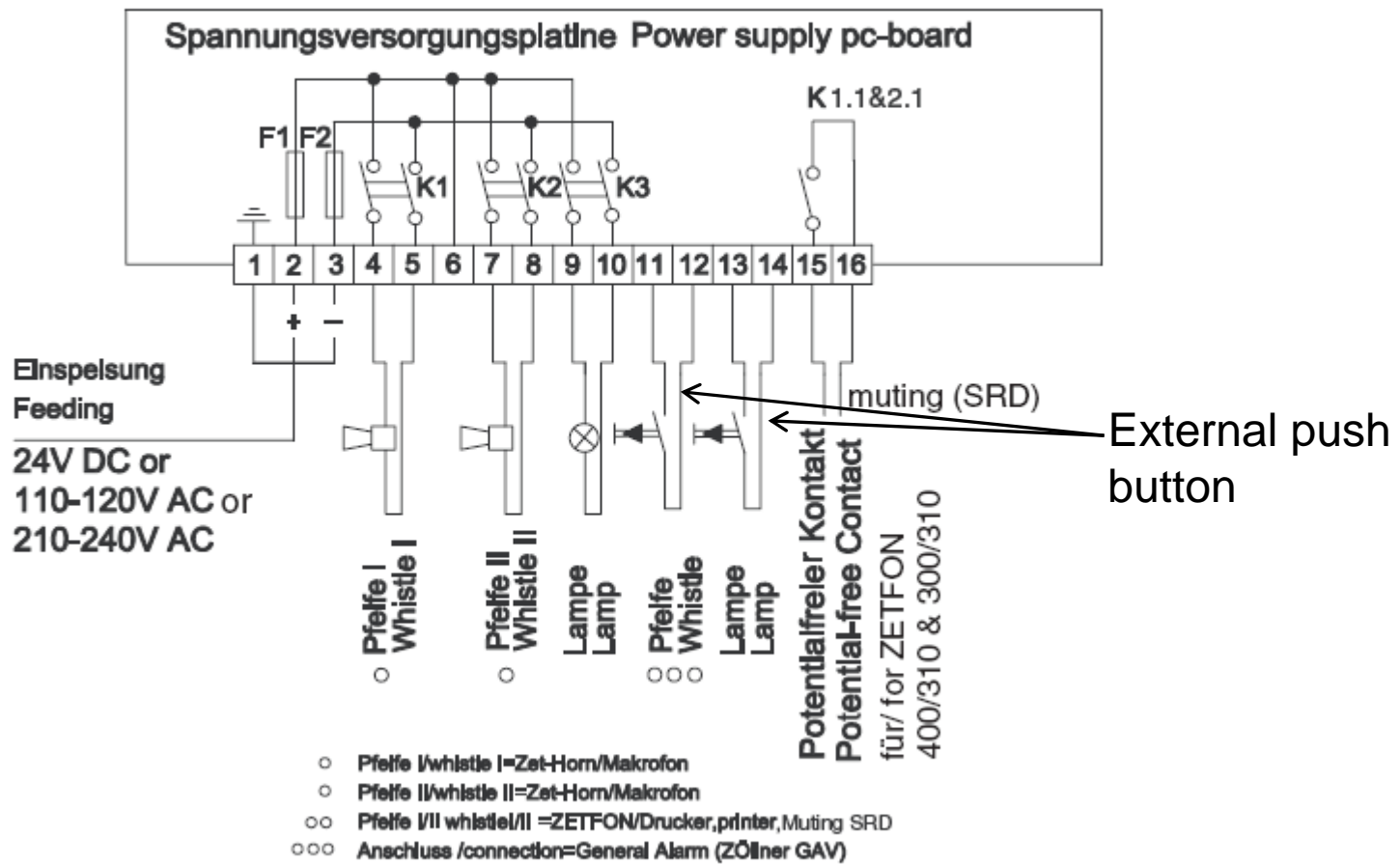


Einbauöffnung: 139x92 mm
cutout for installation: 139x92 mm

Einbautiefe: 100 mm
plug in depth: 100mm

Connection diagram 6+S

	F1,F2
230V	1A
115V	1,6A
24V	6,3 A



Tasterleitungen verdreht oder abgeschirmt verlegen !
Lay cables for signal keys twisted or screened !

Pictures 6+S



without
any
function



fuse
terminal
strip



mounting clamp
loose
fixed in cutout

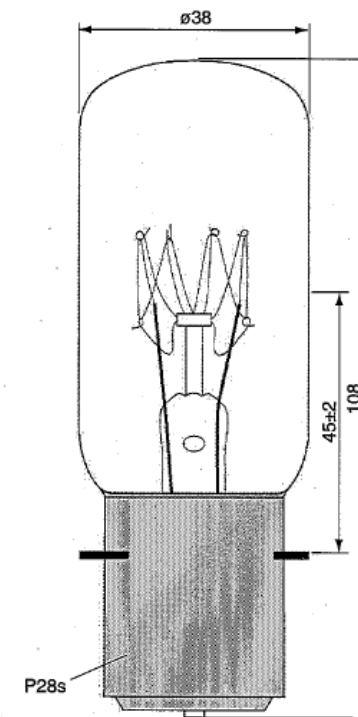


Maneuver signal lamp TS1a

BSH/4612/6011715/10



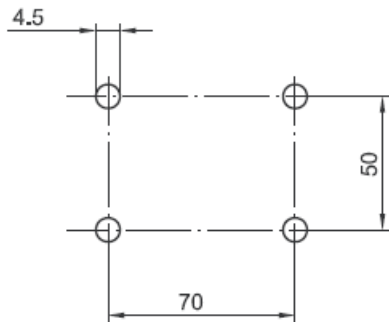
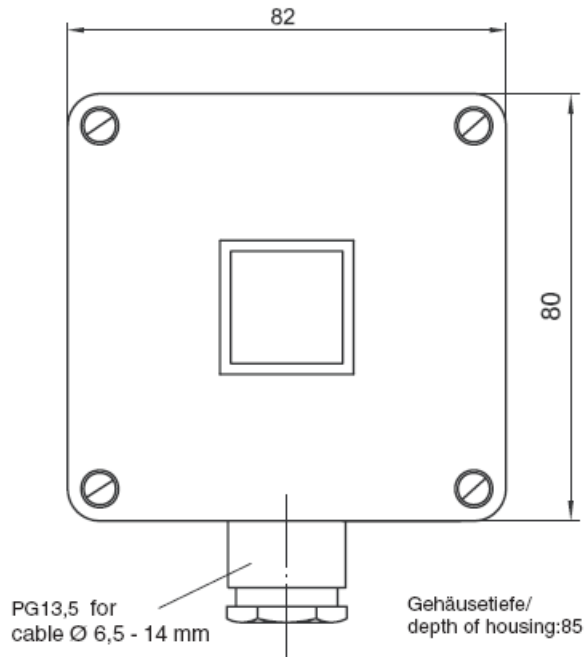
Spare bulb



24V / 40W 50cd, P 28s
115V / 60W 50cd, P 28s
230V / 65W 50cd, P 28s

Tragweite: 5nm
visibility:
Gewicht: 1,95 kg
weight:
Schutzart: IP 56
protection:

External push button

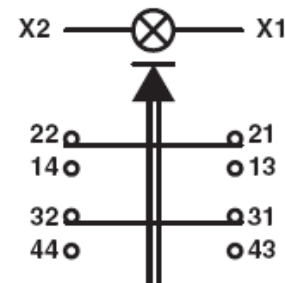
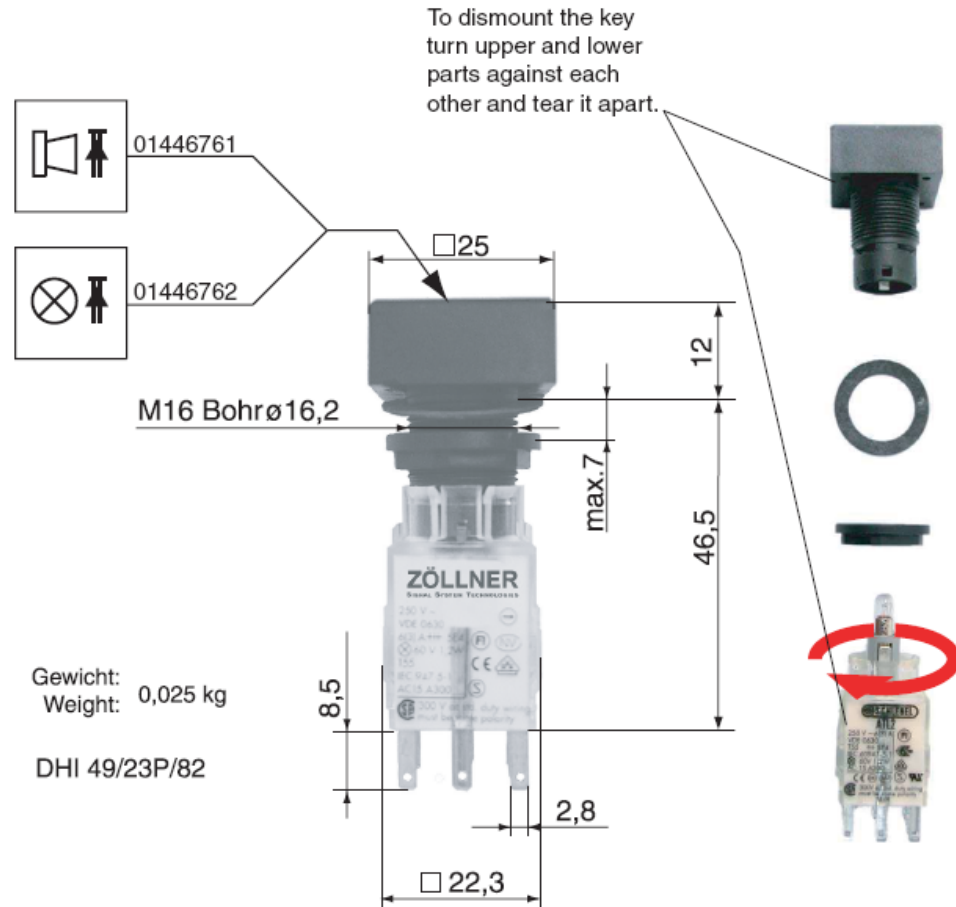


wall
mounted

2 Öffner
2 normally open contact

2 Schließer
2 normally closed contact

lamp: 24V
max.: 250V AC / 5A
24V DC / 2A

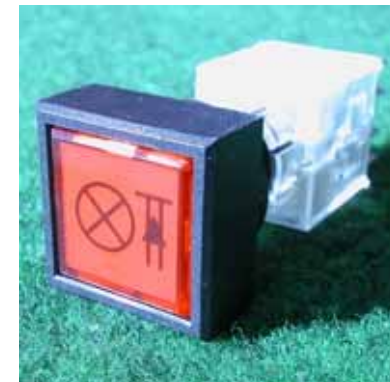
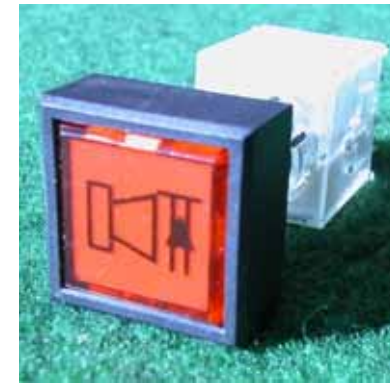
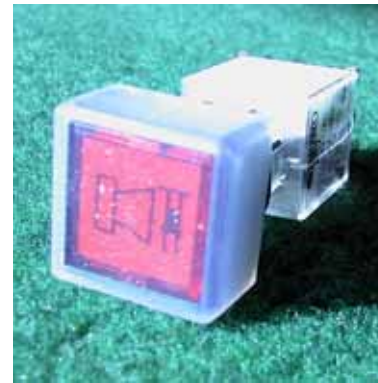


flush
mounted

Pictures push-buttons

symbol lamp
protection IP65

symbol horn
protection IP67



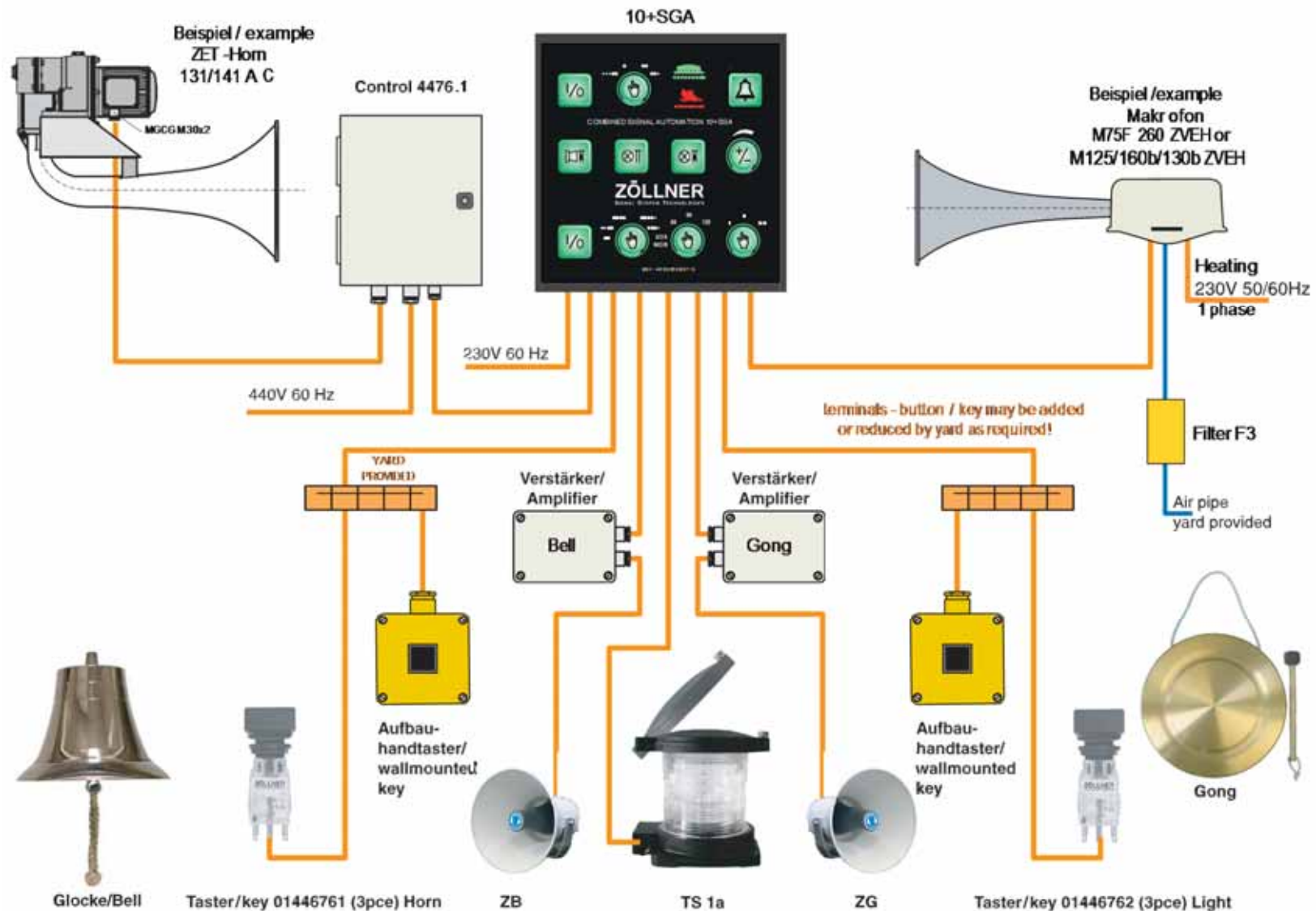
EXTRAS

Sound signal reception device

SRD414/2

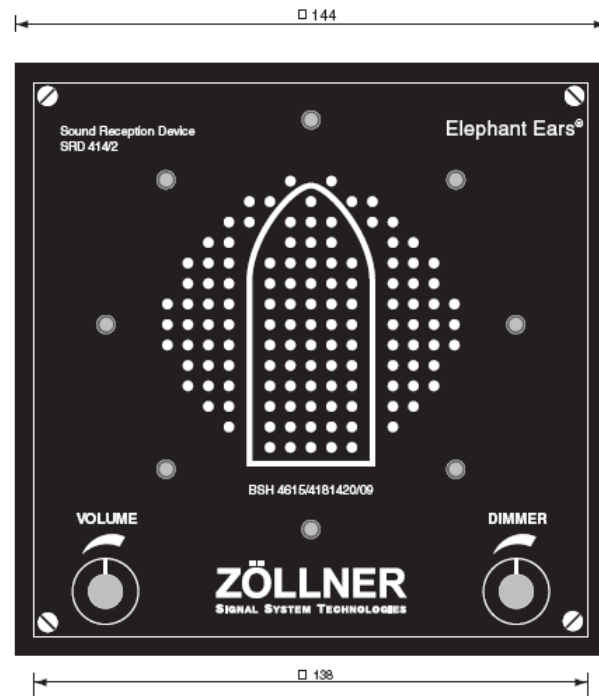
Bell and Gong

Overview extras



SRD 414/2

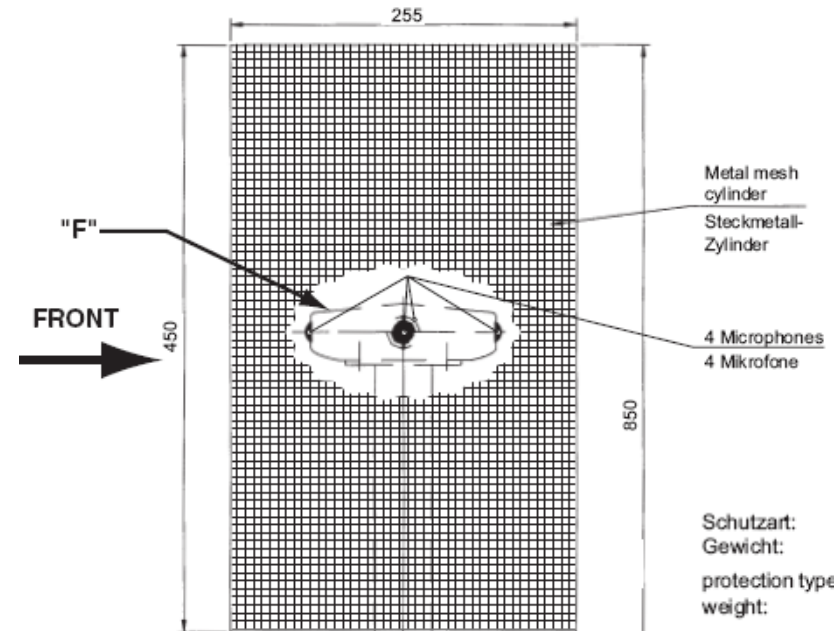
Master control panel



Einbauöffnung: 138 x 138mm Einbautiefe: ca. 160mm
 Hole for Installation: 138 x 138mm Plug in depth: ca. 160mm

Schutzart: IP 21
 Gewicht: 1,8 kg
 protection type: IP 21
 weight: 1,8 kg

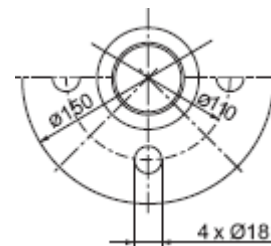
Microphone sensor unit



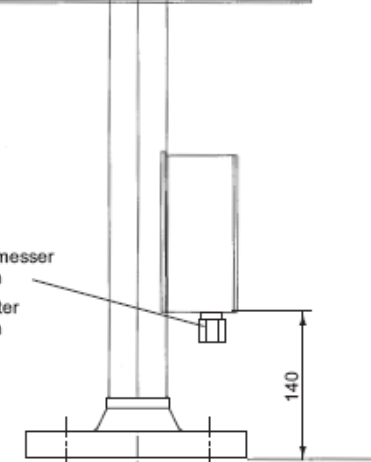
Metal mesh cylinder
 Steckmetall-Zylinder
 4 Microphones
 4 Mikrofone

Schutzart: IP 56
 Gewicht: 7,2 kg
 protection type: IP 56
 weight: 7,2 kg

Bottom flange holes
 to be mounted as on drawing
 Flanschlöcher müssen
 entsprechend der Zeichnung
 angebracht werden.



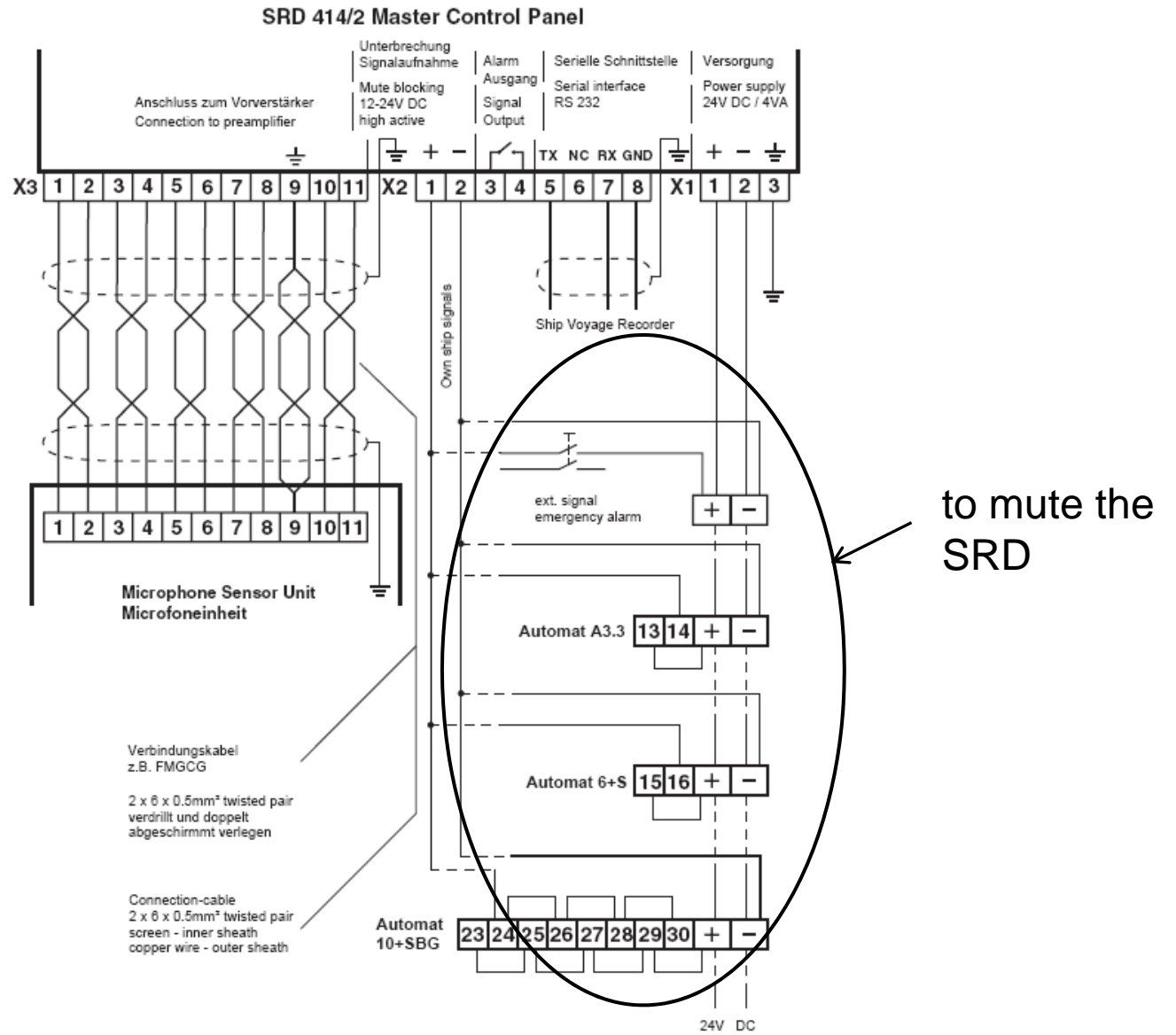
Kabeldurchmesser
 max. 15 mm
 cable diameter
 appr. 15 mm



NOTE:
 Fixing of mast to foundation
 to follow "F" orientation
 marks on unit

Anmerkung: Mikrofoneinheit
 muß entsprechend der
 Richtungsmarkierung "F"
 angebracht werden

Connection diagram SRD 414/2



Pictures SRD 414/2



Pictures SRD 414/2



mounting
bracketed for
cutout



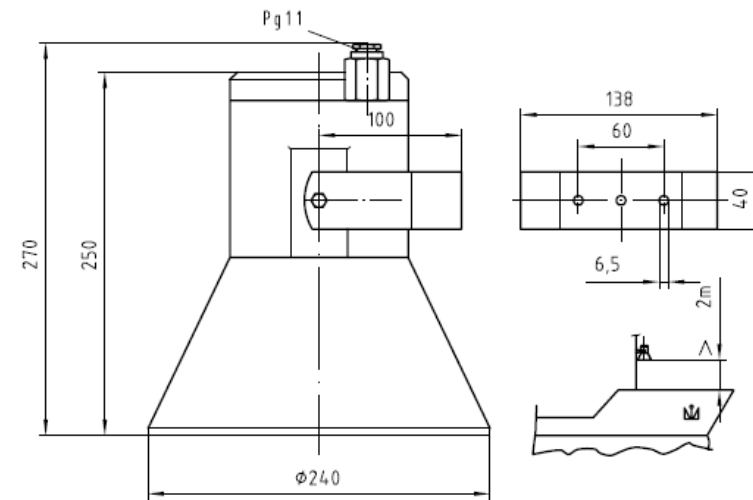
connection microphone
muting /
RS232
connection
power supply

10+SGA with ZB/ZG110



Glocke-Elektronik-Schallsender ZB 110
Bell-Electronic-Sound -Emitter ZB 110

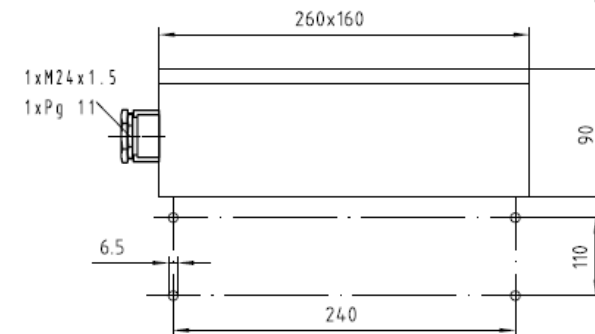
Gewicht : 2,0kg
Weight : 2,0kg

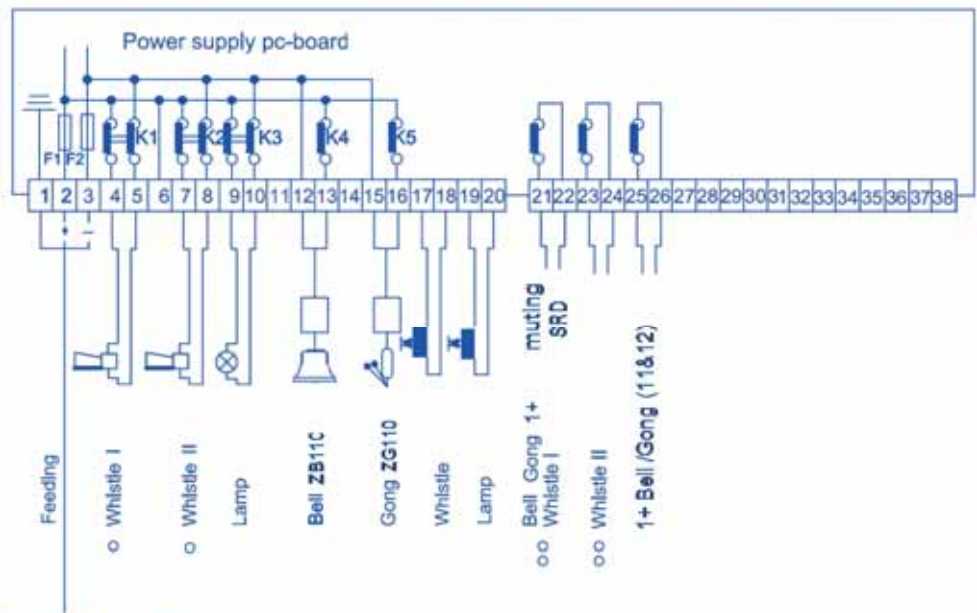


Schalldruckpegel : 110 dB(A)/1m
Sound Level : 110 dB(A)/1m

Verstärkereinheit ZB 110
Amplifier Unit ZB 110

Gewicht : 3,0kg
Weight : 3,0kg

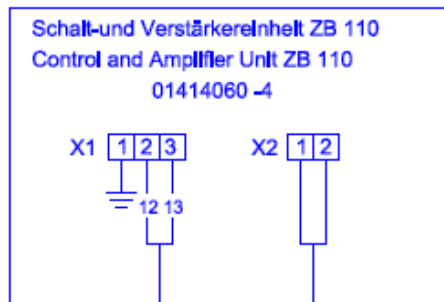




either 24VDC or 1 phase AC

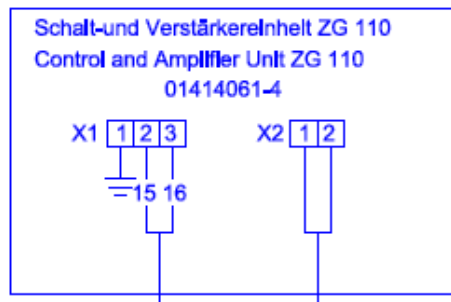
Lat type plate

- whistle I=Zet-Horn or Makrofon
- whistle II=Zet-Horn or Makrofon
- muting SRD or printer



Automat/Automaton 10 + SBG
Glocke/Bell ZB 110

Max. Kabellänge
Appr. length of cable
20m



Automat/Automaton 10 + SBG
Gong ZG 110

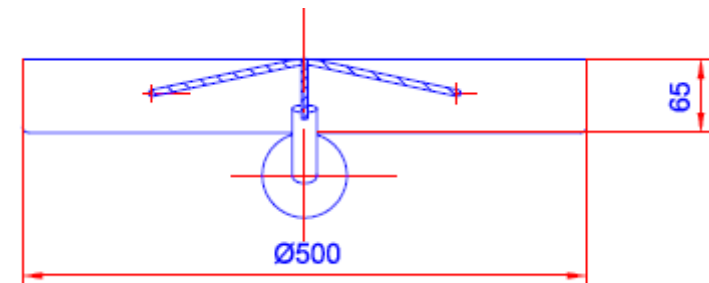
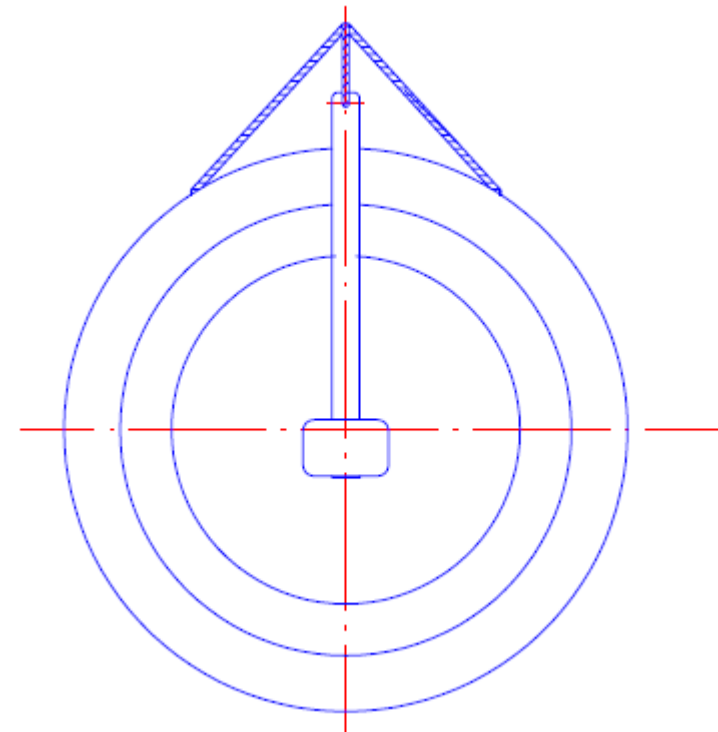
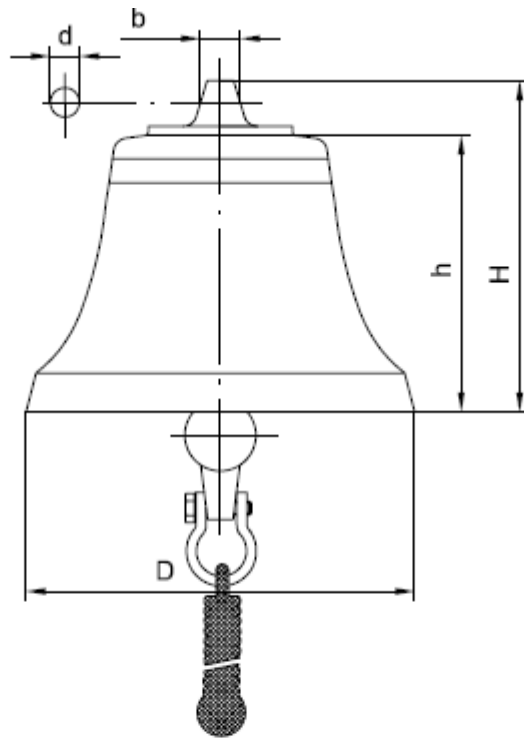
Max. Kabellänge
Appr. length of cable
20m

Gong nur für Schiffe
Über 100m Länge!
Gong only for vessels
of more than 100m
In length!

Pictures 10+SGA ZB/ZG110



Mechanical bell 300 and gong 500



Maße/dimensions in mm	Länge des Fahrzeugs/length of vessel in m		
	12 bis/ up to 20 m	größer als/more than 20 m	
Ø D	200	300	350
d	11	13	16
H	225	300	340
h	ca. 155	ca. 230	ca. 250
b	10...20	25...30	50...65
Masse der Glocke/mass of bell	4 kg	16 kg	23 kg