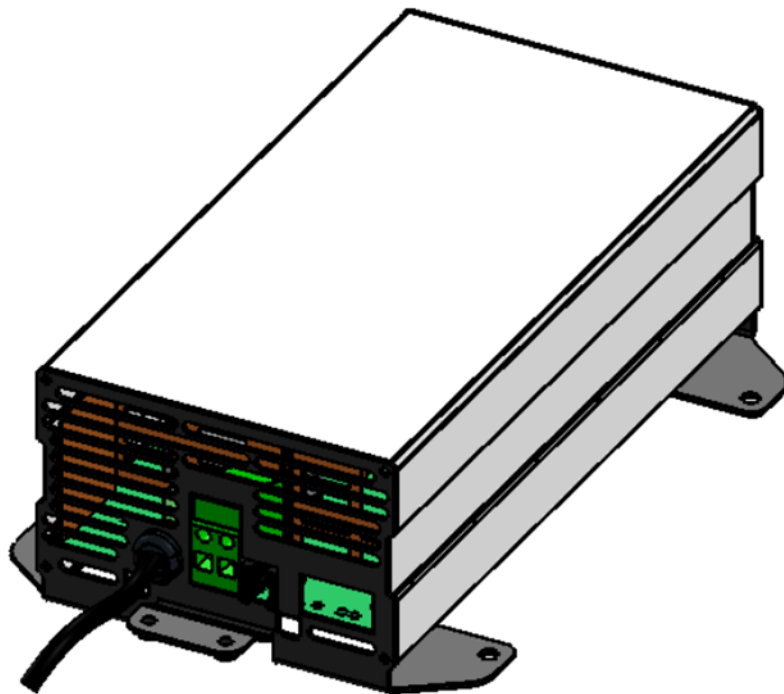


SWITCH MODE POWER SUPPLY

BROMMA art.no: BR1703274

LEAB art.no: 0901036519



Switch mode power supply with wide range input voltage of 90-280V.

Output 25 VDC / 30 Amp. Adjustable output range of 0-36VDC

TABLE OF CONTENT

- Table of content Page 2
- Input Data Page 3
- Output data Page 3
- General data Page 4
- Electromagnetic compability Page 4
- Drawings Page 5
- Graphs & Diagrams Page 6
- Document history Page 7

Order no. **BR1703274**

Pack **1 PCS**

Customs tariff **5044081**

INPUT DATA

Nominal input voltage	110 / 230 VAC
AC input voltage range	80 VAC—280 VAC
AC Input frequency range	From DC to 0-65 Hz
Current consumption	Approx. 3,5 A (@230 VAC)
Current consumption	Approx. 7 A (@110 VAC)
Nominal power consumption	800 W
Inrush surge current	<30A (typical cold start)
Recommended fuse	10 A (characteristic C @ 230 VAC)
Transient surge protection	Protective circuit/component, MOV
Input cable	3x1,5mm ² 1000mm

OUTPUT DATA

Nominal output voltage	25 VDC ± 0,1%
Setting range of the output voltage	0 VDC—36 VDC
Output current	30 A (up to 60°C)
Connection in parallel	Yes, for redundancy and increased capacity
Connection in series	Yes
Control deviation	< 1% (change in load, static 10%...90%)
Line regulation	0,1%
Output ripple	<30mV rms
Start up response time	200ms
Hold up time	5ms
Type of connection	Phoenix connector plint
Conductor cross section solid max	6 mm ²
Conductor cross section stranded max	6 mm ² (AWG10)
Stripping lenght	8 mm
Protection against overload and short circuit	Yes
Over temperature protected	Yes

GENERAL DATA

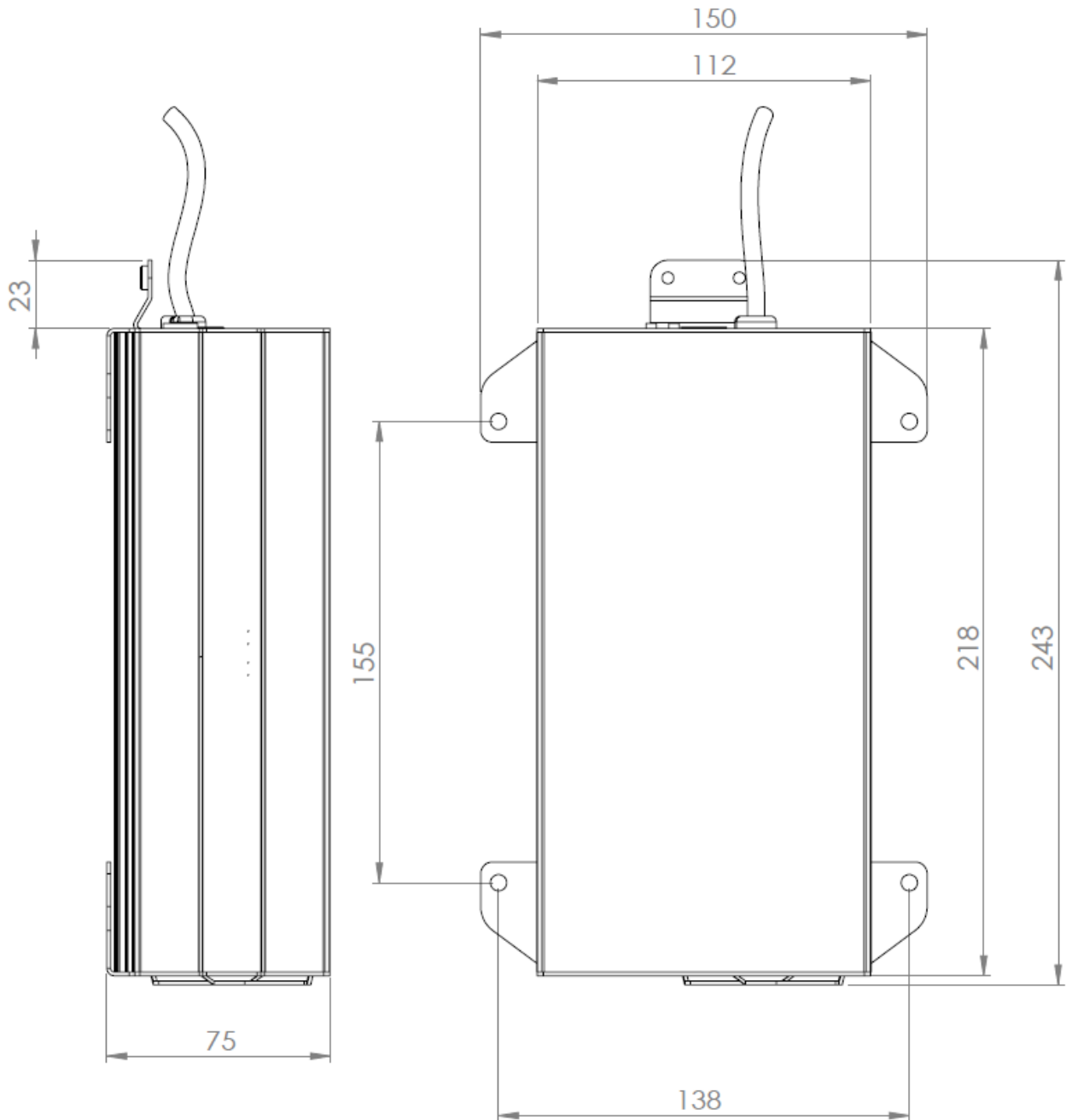
Width	243 mm
Height	75 mm
Depth	150 mm
Weight	2 Kg
Operating voltage display	LED green
Efficiency	> 91%
Insulation voltage input/output	3750 V AC (type test)
Insulation voltage input/output	2 kV (routine test)
Degree of protection	IP20
Class of protection	I, with PE connection
MTBF	> 100 000 h in acc. With IEC 61709 (CN 29500)
Ambient temperature (operation)	-25°C—85°C (> 60°C derating)
Ambient temperature (storage/transport)	-40°C—85°C
Max. permissible relative humidity (operation)	95% (at 25°C, no condensation)
Mounting position	Vertical with fan facing downwards
Cooling	Temperature controlled fan
Vibration	30g 15-50Hz according to IEC 60028-2-6

ELECTROMAGNETIC COMPABILITY

TEST	NORM	PORT	SEVERITY	CONDITIONS	CRIT.
Magnetic field	IEC61000-4-8	X/Y/Z Axis	30A/m	50/60Hz	A
Radiated high-frequency	IEC61000-4-3	X/Y/Z Axis	10V/m	80—1000MHz M. 80% 1KHz	A
		X/Y/Z Axis	3V/m	1.4—2GHz M. 80% 1KHz	A
		X/Y/Z Axis	1V/m	2—2.7GHz M. 80% 1KHz	A
Conducted RF	IEC61000-4-6	Input	10V	0.15...80MHz M. 80% MHz	A
		Output	10V	0.15...80MHz M. 80% MHz	A
Electrostatic discharge	IEC61000-4-2	Case	±8Kv	Air (isolated parts)	B
		Case	±6Kv	Contact (conductive parts)	B
Fast transients	IEC61000-4-4	Input	±2Kv	Tr/Th: 5/50 ns	B
		Earth	±4Kv	Tr/Th: 5/50 ns	B
Surges	IEC6100-4-5	AC L to L	±2Kv	Tr/Th: 1.2/50µs	B
		AC L to PE	±4Kv	Tr/Th: 1.2/50µs	B
Voltage DIPS/SAGS	IEC61000-4-11	AC Input	0%	20ms (zero crossing)	A
		AC Input	40%	0.2ms (zero crossing)	A
		AC Input	70%	0.5 ms (zero crossing)	A
		AC Input	80%	5 s (zero crossing)	A
		AC Input	0%	4 s (zero crossing)	C
Electrical safety	EN 60335-1				
Electrical safety	EN 60335-2-29				

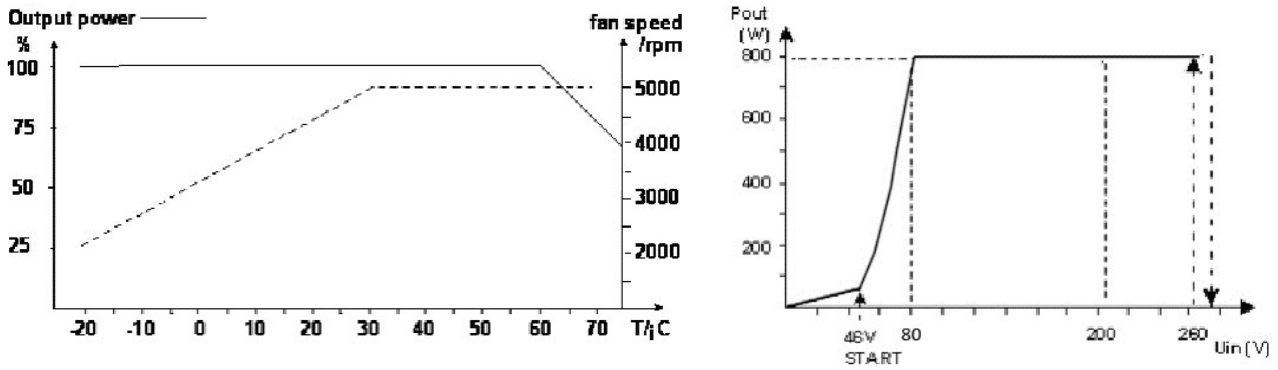
DRAWINGS

Mounting direction and measurements

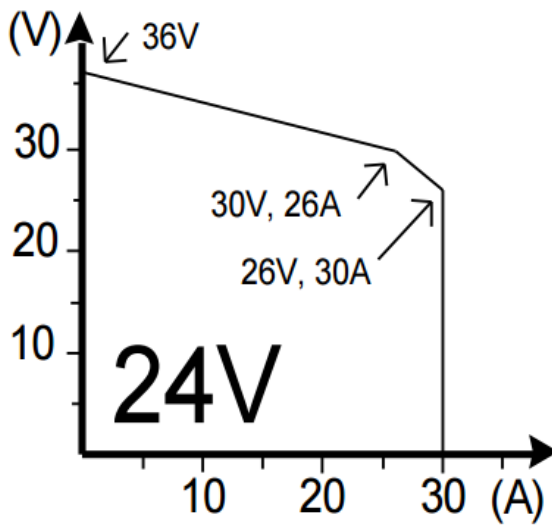


Graphs & Diagrams

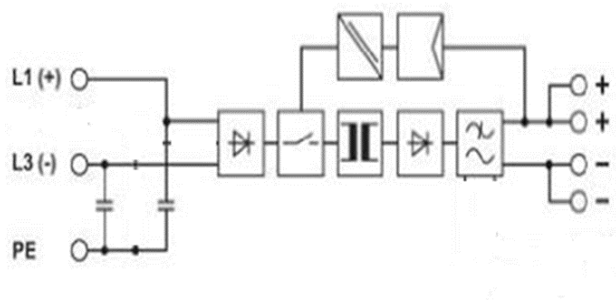
Effect of ambient temperature on output power and fan speed, and the effect of input voltage on output power.



Output characteristics of the Powersupply.



Block diagram of the charger.



DOCUMENT HISTORY

Document revision	Description	Release date
A	Initial release	20150904
B	Initial release	20150914



LEAB Automotive GmbH

Thorshammer 6

24866 Busdorf

Germany

Fon: +49-(0)4621-97860-0

Fax: +49-(0)4621-97860-260

E-Mail: sales@leab.eu

www.leab.eu

