



Identification	Type	LS-A-9606 5m PVC 24V
	Part-No.	709606
Description		
	Construction A (18 mm) PVC connecting lead with bridged ground conductor (PE)	
Technical data		
Type of function	Valve suppressor	
Protection device	Suppressor diode	
Rated voltage	AC/DC 24 V	
Current Consumption	4 mA	
Cut-off peak	≤ 52 V	
Rated frequency	50 – 60 Hz	
Holding Capacity	100 VA	
Type of connecting lead	3×0.5 mm ² PVC	
Cable length	5 m	
Connecting lead Ø	4.8 ± 0.15 mm	
General		
Design	A (18 mm)	
Status indication	LED yellow	

20.03.2018 – Subject to technical modification

Part-No. 709606

USA: LUTZE INC.

13330 South Ridge Drive • Charlotte, NC 28273, USA
Tel. +1 (704) 504-0222 • Fax +1 (704) 504-0223
www.lutze.com • info@lutze.com

United Kingdom: LÜTZE Ltd.

Unit 3, Sandy Hill Park
Sandy Way, Amington • GB-Tamworth, Staffs B77 4DU
Tel. +44 (0)1827 31333-0 • Fax +44 (0)1827 31333-2
www.lutze.com • sales.gb@lutze.co.uk



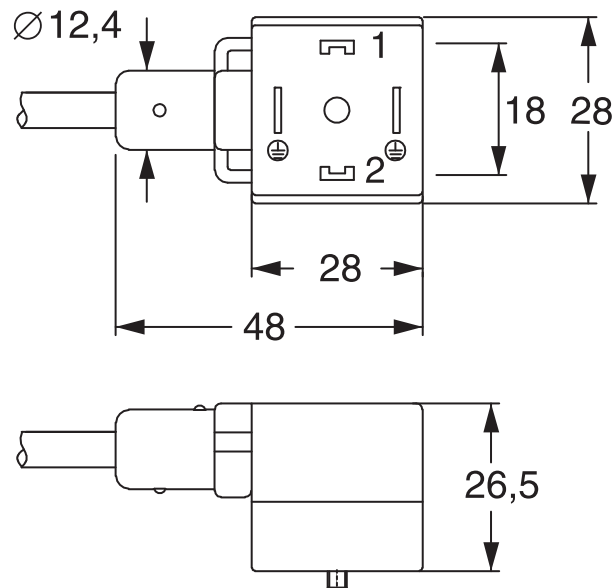
Technical data sheet • Suppression Technology

Amperage range	≤4 A
Contact resistance	<10 mΩ
Insulation resistance	>100 MΩ
Pole number	3
Conductor color	brown, blue, yellow-green
Jacket color	black
Housing material	TPU
Color of the housing	transparent
Contact material	CuSn silver-plated
Mechanical service life	>100 insertion cycles
Degree of pollution	3
Protection class	IP67
Mounting	Breakaway torque 0.4 Nm Protective hose possible
Temperature range connector	-25 °C ... +90 °C
Temperature range fixed	-30 °C ... +80 °C
Temperature range moving	-5 °C ... +70 °C
Operation temperature range	-25 °C ... +80 °C
Storage temperature range	-40 °C ... +90 °C

Comments

¹⁾ Very good chemical and oil resistance. The material resistance must be checked based on the application for use with aggressive media!

Dimensions



20.03.2018 – Subject to technical modification

Part-No. 709606

USA: LUTZE INC.

13330 South Ridge Drive • Charlotte, NC 28273, USA

Tel. +1 (704) 504-0222 • Fax +1 (704) 504-0223

www.lutze.com • info@lutze.com

United Kingdom: LÜTZE Ltd.

Unit 3, Sandy Hill Park

Sandy Way, Amington • GB-Tamworth, Staffs B77 4DU

Tel. +44 (0)1827 31333-0 • Fax +44 (0)1827 31333-2

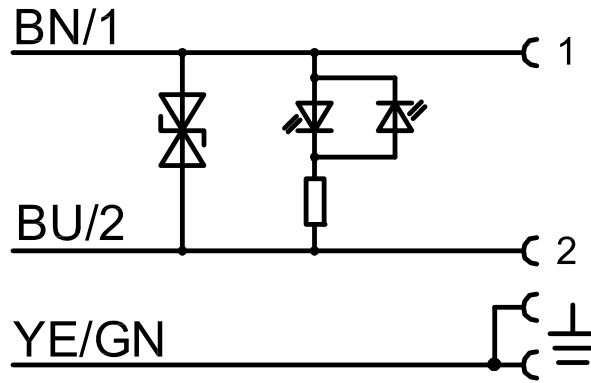
www.lutze.com • sales.gb@lutze.co.uk



SYSTEMATIC TECHNOLOGY

Technical data sheet • Suppression Technology

PIN assignment



Accessories

Accessories	Color	Part-No.	Type	PU
Tag holder 7×20 mm	white	760968	BZT-0720	100

20.03.2018 – Subject to technical modification

Part-No. 709606

USA: LUTZE INC.

13330 South Ridge Drive • Charlotte, NC 28273, USA
 Tel. +1 (704) 504-0222 • Fax +1 (704) 504-0223
 www.lutze.com • info@lutze.com

United Kingdom: LÜTZE Ltd.

Unit 3, Sandy Hill Park
 Sandy Way, Amington • GB-Tamworth, Staffs B77 4DU
 Tel. +44 (0)1827 31333-0 • Fax +44 (0)1827 31333-2
 www.lutze.com • sales.gb@lutze.co.uk



SYSTEMATIC TECHNOLOGY