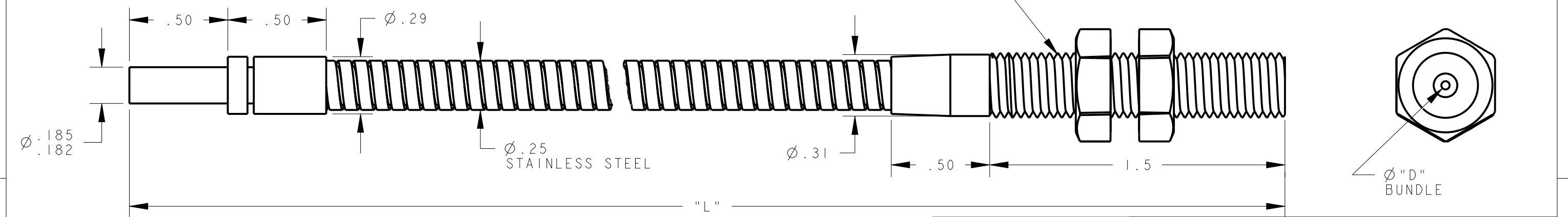
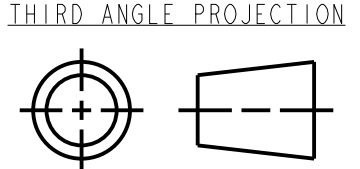


MODEL NO.	"L"	"D"	P/N
IT.752S	24	.046	20179
IT.755S	60	.046	20958
IT11.3S	15	.062	00000
IT11.5S	18	.062	17339
IT12S	24	.062	17340
IT13S	36	.062	17342
IT14S	48	.062	20537
IT15S	60	.062	17343
IT16S	72	.062	17894
IT18S	96	.062	17372
IT2.5S	6	.125	20427
IT21.2S	14	.125	20796
IT21.3S	15	.125	20549
IT21.5S	18	.125	17395
IT210S	120	.125	17345
IT211S	132	.125	20467
IT212S	144	.125	17347
IT23S	36	.125	17355



NOTES:
 1. ALL DIMENSIONS ARE [REDACTED] [INCHES] UNLESS OTHERWISE NOTED.
 2. REFER TO "www.bannerengineering.com" FOR ADDITIONAL DATA AND SPECIFICATIONS.

This drawing is the property of BANNER ENGINEERING CORP. Any use or reproduction, in any form, without prior written permission of Banner is prohibited. © 2015 Banner Engineering Corp.



BANNER BANNER ENGINEERING CORP.
 www.bannerengineering.com

TITLE
IT2 SERIES SS TERMINATED

SIZE B DRAWING NO. **161911** REV. **A**

SCALE 2:1 SHEET 1 OF 2

CREO

8	7	6	5	4	3	2	1
MODEL NO.	"L"	"D"	P/N	MODEL NO.	"L"	"D"	P/N
IT110S	120	.062	22864	IT22.29S	27.5	.125	17920
IT22.7S	32	.125	22882	IT1.5S	6	.062	00000
IT24.6S	55	.125	22883	IT11S	12	.062	22321
IT25.4S	65	.125	22884	IT228S	336	.125	22465
IT221S	252	.125	00000	IT120S	240	.062	22539
IT.754.5S	54	.046	23452	IT2.9S	11	.125	22839
IT.754S	48	.046	23591	IT1.53S	36	.090	23214
IT114S	168	.062	00000				
IT116S	192	.062	00000				
IT.756.7S	80	.046	00000				
IT.442S	24	.027	23729				
IT260S	720	.125	00000				
IT.756S	72	.046	23837				
IT21.33S	16	.125	24052				
IT1.55S	60	.090	24122				
IT240S	480	.125	24280				
IT236S	432	.125	24336				
IT116.5S	198	.062	00000				
IT216.5S	198	.125	24599				
IT224S	288	.125	24703				
IT223S	276	.125	24854				
IT.7510S	120	.046	00000				
IT.7520S	204	.046	00000				
IT19S	108	.062	76143				
IT213S	156	.125	17348				
IT214S	168	.125	17826				
IT215S	180	.125	20124				
IT216S	192	.125	17349				
IT217S	204	.125	17962				
IT21S	12	.125	17851				

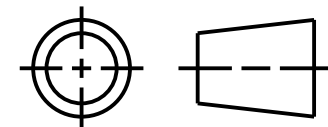
NOTES:
1. ALL DIMENSIONS ARE MILLIMETERS [INCHES] UNLESS OTHERWISE NOTED.
2. REFER TO "www.bannerengineering.com" FOR ADDITIONAL DATA AND SPECIFICATIONS.

This drawing is the property of BANNER ENGINEERING CORP. Any use or reproduction, in any form, without prior written permission of Banner is prohibited.
© 2015 Banner Engineering Corp.



TITLE
IT2 SERIES SS TERMINATED

THIRD ANGLE PROJECTION



SIZE B DRAWING NO. **161911** REV. **A**
SCALE 2:1 SHEET 2 OF 2

CREO