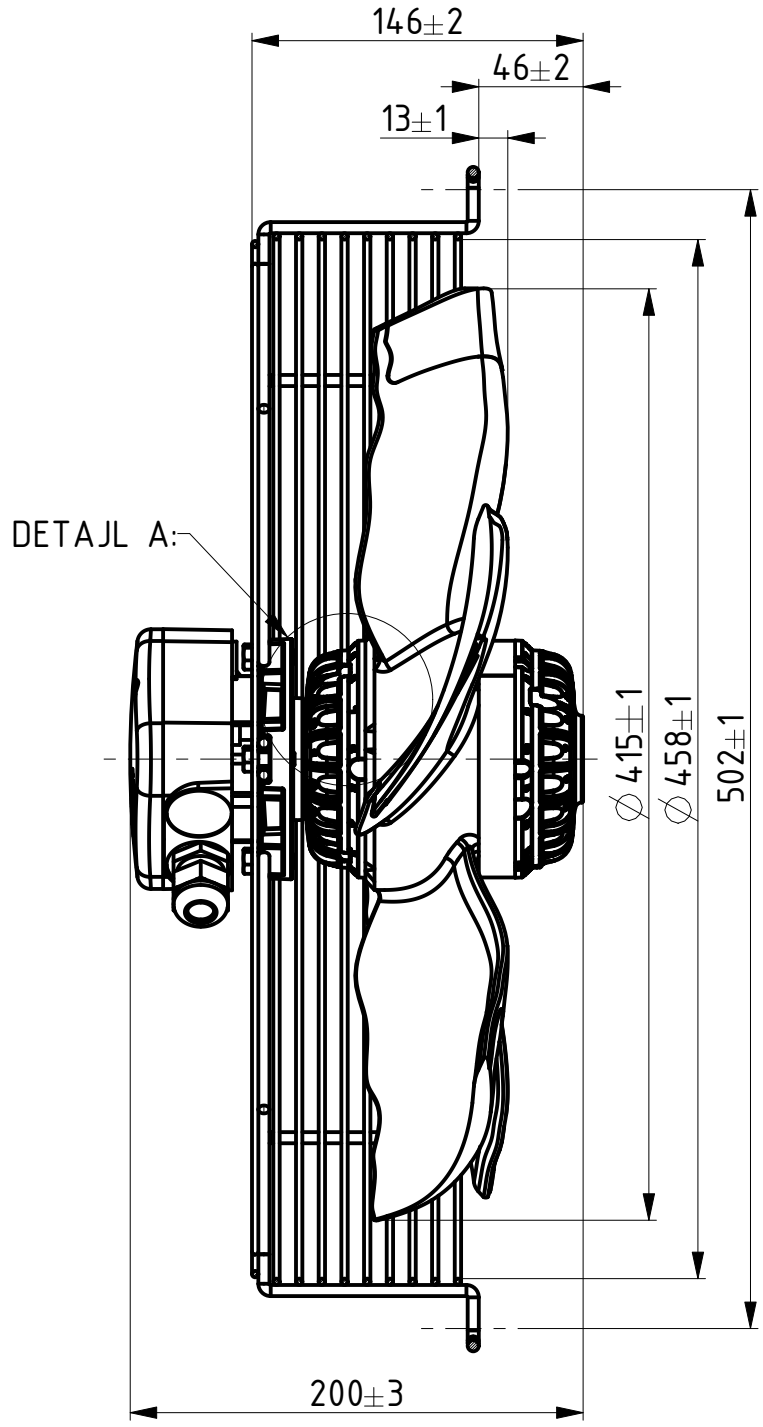
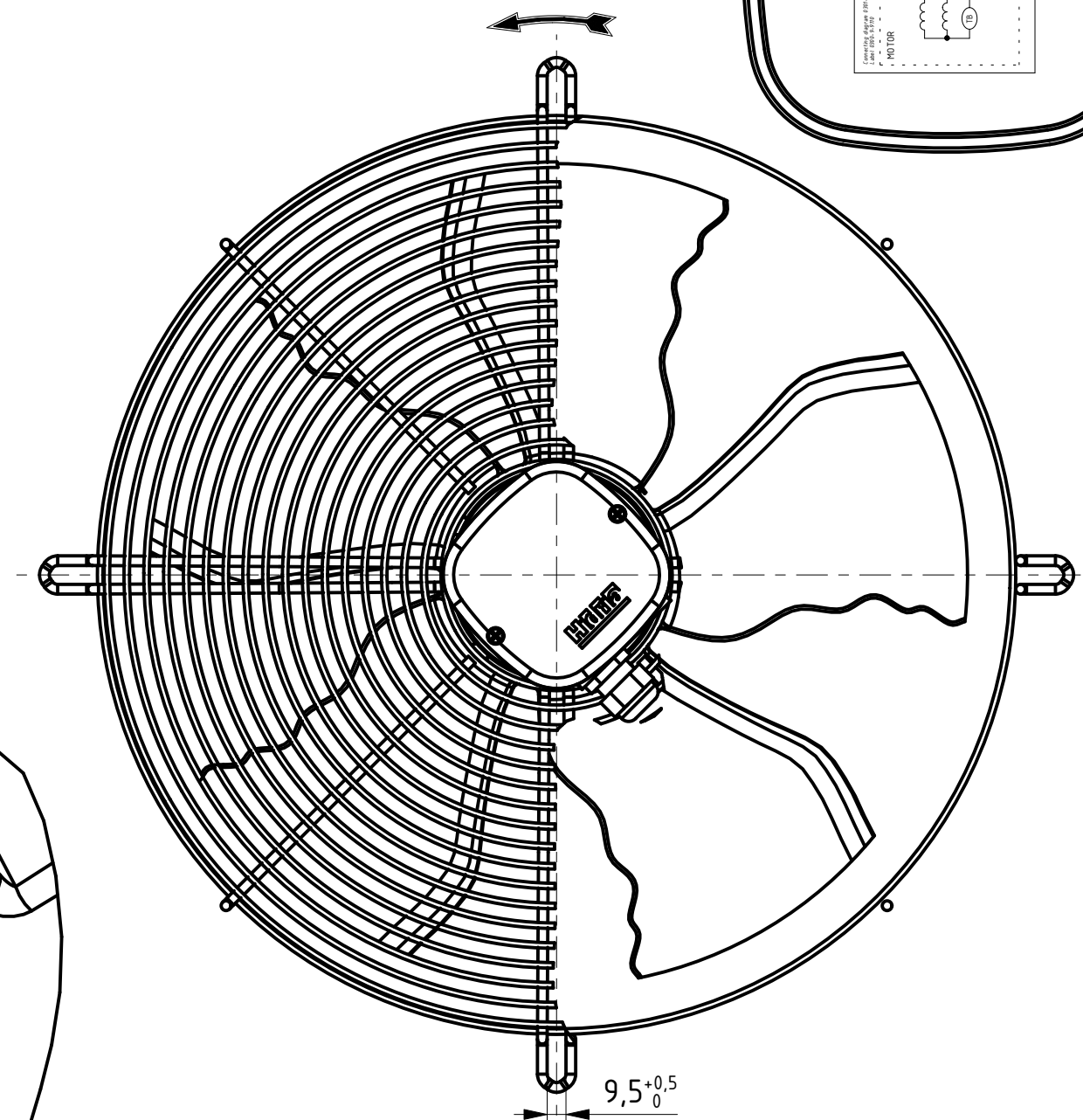
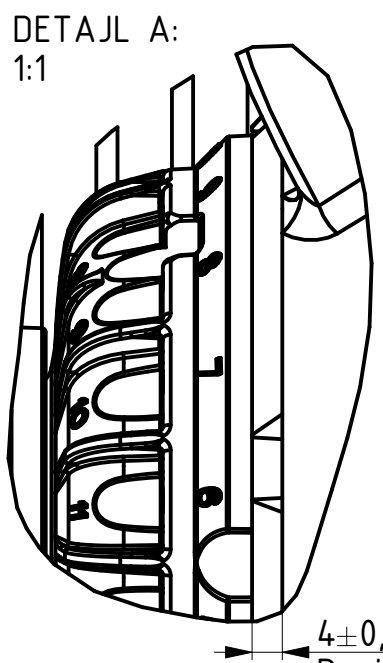


All drawings, regardless of form, are owned by Hidria Rotomatika d.o.o. and are strictly confidential and present copyright. Intellectual Property Rights as follows rights under the laws of patents, petty patents, design patents and registered designs, copyrights, trade secret rights, and similar exclusive rights in industrial property connected with the drawings are reserved by Hidria Rotomatika d.o.o.. Disclosure to any third party is strictly forbidden.

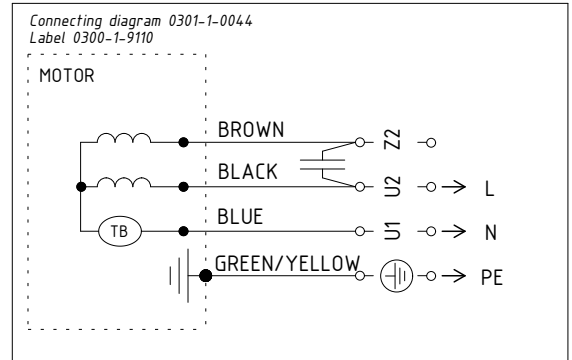
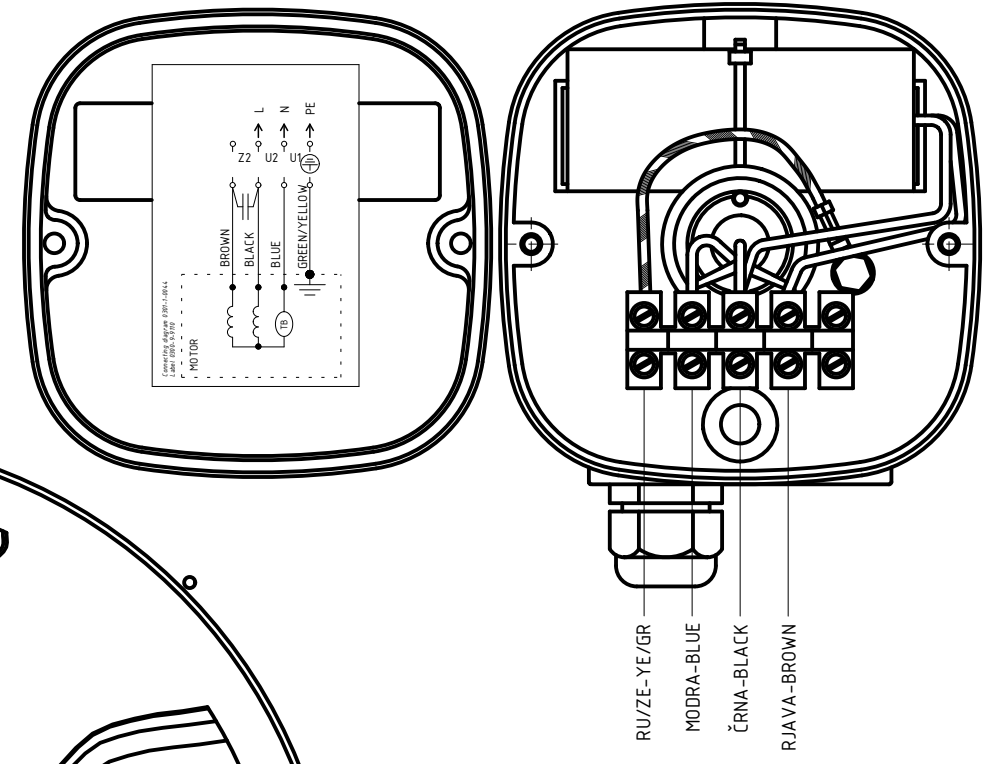
**SUCKING**  
 AIRFLOW DIRECTION  
 SMER ZRAKA



DETAJL A:



4±0,5  
 Pozicija ventilatorja  
 Position of fan



**Opombe:**  
 - navodilo za kontrolo ventilatorja 0301-1-4641  
 - checking instruction 0301-1-4641

<b>Hidria</b>	MADE IN SLOVENIA	<b>CE</b>	DATE
R11R-42LPS-4M-5150			0311-4-0312
1~230V 50Hz 220W 1,0A 1280RPM			
MAX.AMB.65° C IP54 INS.CL.155 C=6,3µF/450V			
TH.PROT. ROT.			
ErP: Effes=28,9% (A,static) N=39,2			

1	B	Nalepko s podatki se uskladi z zahtevami ErP. Spremeni se verzija z AA v AB. Risba v Windchillu je skladna z risbo v arhivu.	08.04.13	Samuel B.
Št.spremembe: Change nbr.:	Verzija: Revision:	Opis spremembe: Description of change:	Datum: Date:	Izdelal: Produced:
MERILO/FORMAT 3:10 / A3	PDM VERZIJA PDM VERSION B.2	NETOLERIRANE MERE UNTOLERANCED DIM. ISO 2768-m	NAZIV: TITLE: <b>VENTILATOR</b> <b>R11R-42LPS-4M-5150</b>	
Potrjeno/Approved		POVRŠINSKA OBD. SURFACE TEXTURE	KODA: CODE: 0311-4-0312 0311-4-0312	
<b>Hidria</b>		MATERIAL	VERZIJA ARTIKLA: REVISION ARTICLE: AB	
RISAL PROJEKTIRAL	DATUM 07.04.09	PODPIS Uroš K.	LIST: SHEET: 1	
	07.04.09	Uroš T.	OD: OF: 1	