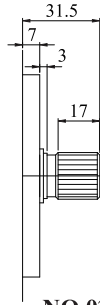
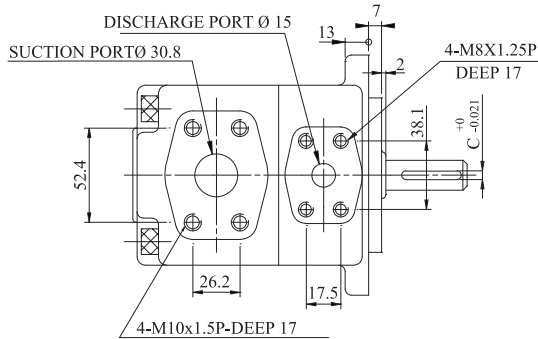
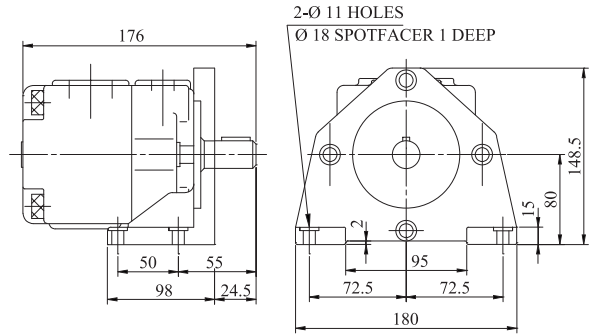


VQ15 Max. Pressure: 240 Kgf/cm² (Peak)
Max. Speed: 1800 rpm

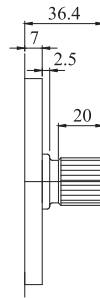
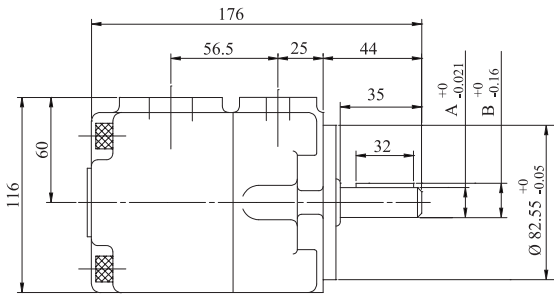


NO.03-Shaft
11-Teeth Spline
3/4" (19.05)DIA
30° pressure angle
Flat root side fit

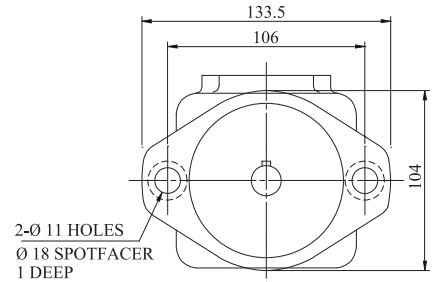


Foot Type (腳座型)

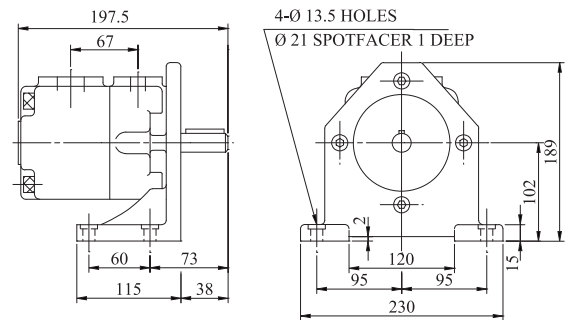
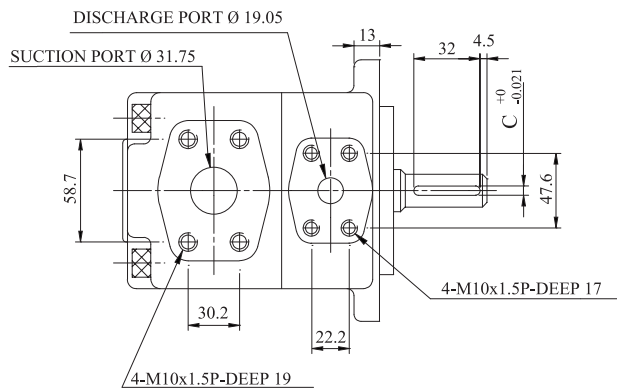
	A	B	C
NO.01-Shaft	Ø19.05	21.24	4.76
NO.03-Shaft	Spline shaft - 11T		
NO.06-Shaft	Spline shaft - 9T		



NO.06-Shaft
SAE A
16/32 dp.
9-Teeth Spline
30° pressure angle
Flat root side fit.



VQ20 Max. Pressure: 230 Kgf/cm² (Peak)
Max. Speed: 1800 rpm



Foot Type (腳座型)

	A	B	C
NO.01-Shaft	Ø 22.23	24.5	4.76
NO.02-Shaft	Ø 25.4	28.18	6.35
NO.03-Shaft	Ø 22.23	24.94	6.35

