



## CNK 210 N Limit Switch Boxes (Mechanical Sensor)



- Mini-type aluminum die-casting cover and housing with powder coated in any colors.
- Secure waterproof, multi-angles visual valve positions involving top and side view.
- With spring loaded splined cam, no need to adjust again after initial setting and Easy setting without tool.
- Standard 8 points and enough strips for connection.
- Dual cable entries: 2×G1/2 (Standard); 2-M20x1.5 or 2×1/2NPT(Option).
- No worry to loose bolts while cover opens with captive cover bolts.
- NAMUR standard shaft and bracket.
- Weather proof is IP67.
- 2-SPDT mechanical switches as standard (5A125-250VAC).

### Structure and Material(CNK-210N)

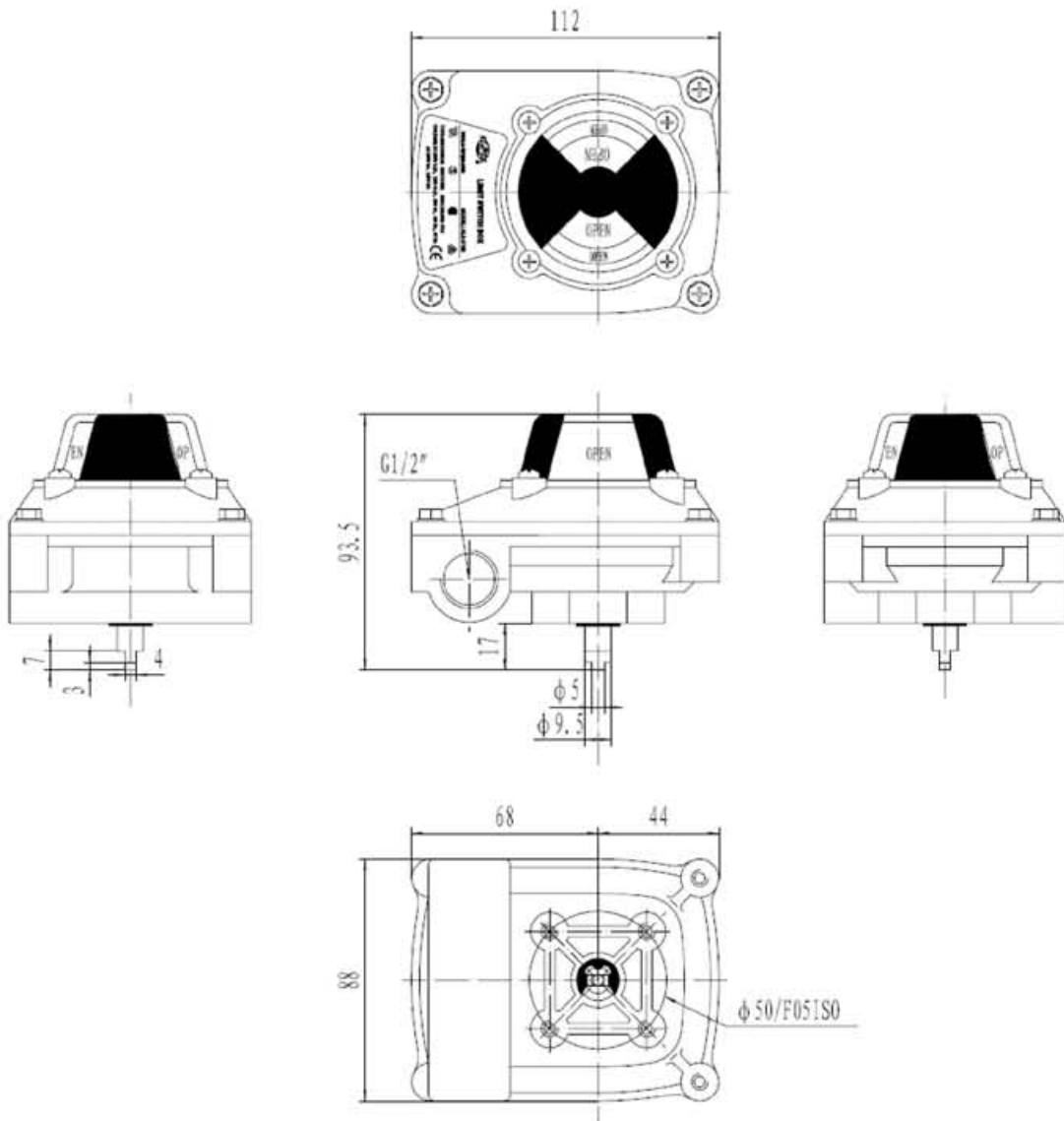
No.	Part Name	Qty.	Material	Picture
1	Box Cover	1	Aluminum Die Casting	
2	Box Body	1	Aluminum Die Casting	
3	Shaft	1	Stainless Steel	
4	Indicator Cover	1	Polycarbonate	
5	Indicator	1	ABS/Polycarbonate	
6	Switch	2	Mechanical	
7	Terminal Strip	8	Polycarbonate Tin Plated Brass Stainless Steel	
8	Cam	2	Polycarbonate	
9	Spring	1	Stainless Steel	
10	Bolts	4	Stainless Steel	
11	Shaft O-ring	1	NBR	
12	Body O-ring	1	NBR	
13	Indicator O-ring	1	NBR	
14	Bushing	1	Bronze	
15	Earth Lug	1	Stainless Steel	
16	E-ring	1	Stainless Steel	



## Specification

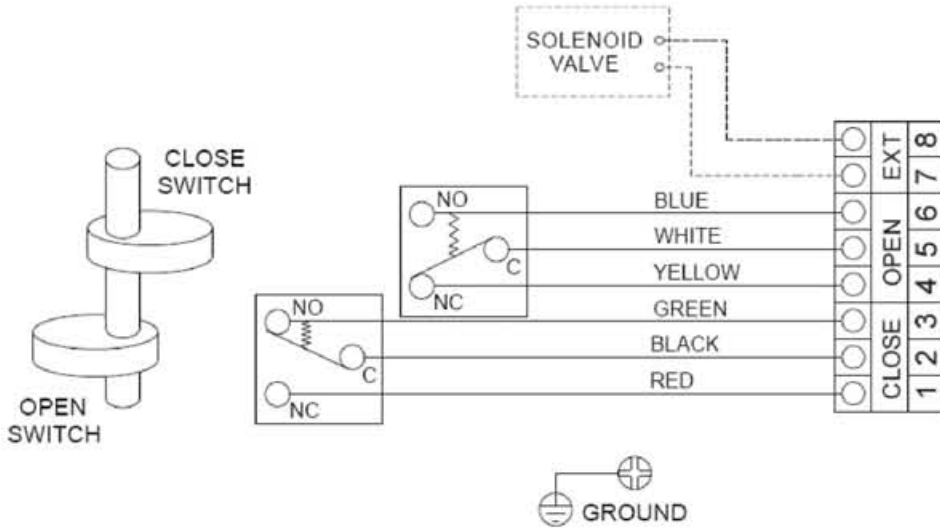
Model	Weather proof	Temperature Range	Cable Entry	Terminal Strips	Position Indicator	Switches
CNK-210N	IP67	-20? ~85?	2×G1/2 (2×1/2NPT 2-M20x1.5)	8 Points	0°90° Open- Yellow Close- Red	Mechanical (5A125-250VAC)

## Dimension

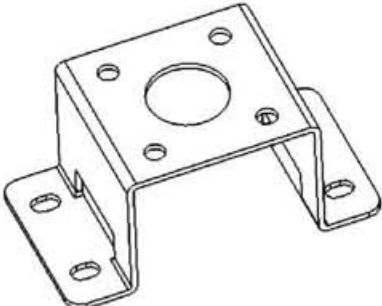


## Wiring

### (2 SPDT) WIRING DIAGRAM



## Mounting Bracket

Picture	Material	Application
	Steel plate	30×80 H:20
	Stainless steel(304)	
	Steel plate	30×80 H:30
	Stainless steel(304)	