

BREATHERS

ELF...7 Series

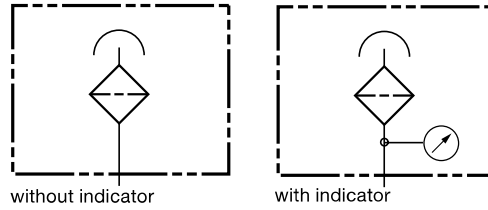
Filler Breathers



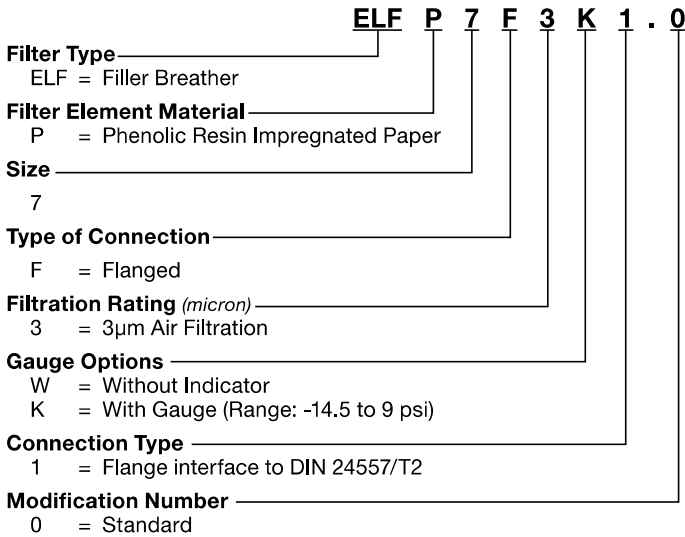
Specifications

- Maximum flow rate - 63 scfm / 475 gpm at 0.04 bar
- Durable synthetic material (PA6)
- 3 micron
- 500 micron plastic filler basket
- Replaceable element Phenolic resin impregnated paper
- Removable lid to access fill port
- Installs via 6-bolt circle (*bolts included*)
- Differential gauge (*optional*)
- -22° to 212°F (-30° to 100°C)

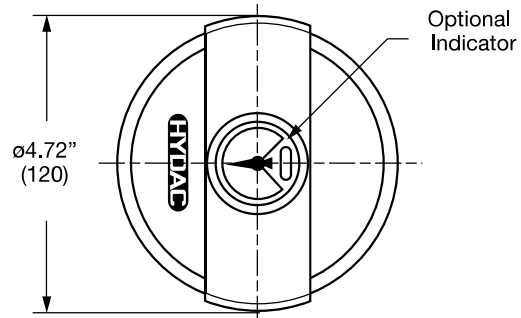
Hydraulic Symbols



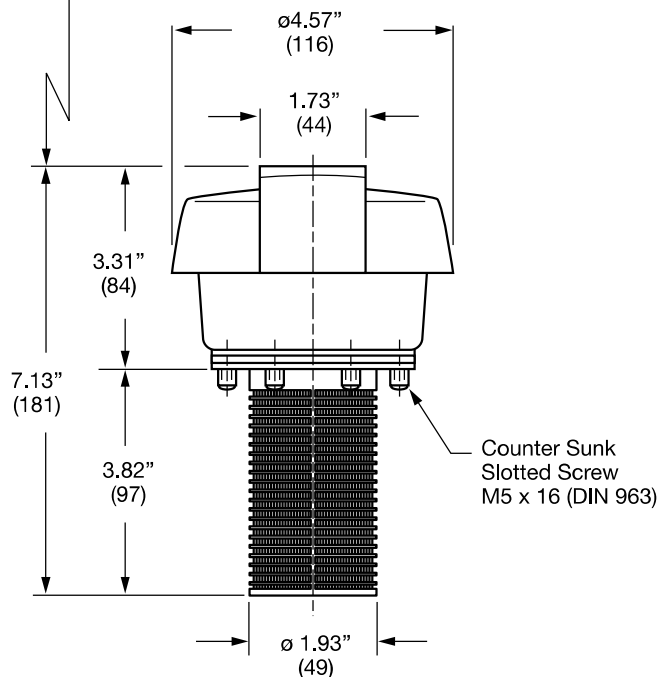
Model Code



Dimensions



Clearance Required
For Element Removal
2.36" (60)



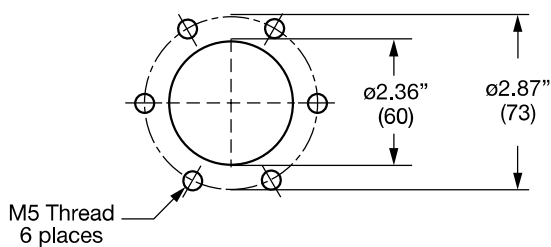
Replacement Elements



Micron	Model Code	Part No.
3	0007L003P	00310948

Mounting Hole Pattern

(flange interface to DIN 24557/T2)



Note: Low temperature options available. All breathers are available with special options and materials. Please contact the factory.