



Fig. nr.	CODE	aant./mot. quant./mot. number/eng	BENAMING	DESIGNATION	DESCRIPTION
-	620.031.1100.04	1	Duplex oliefilter (stukken 1 t/m 40)	Filtre à huile Duplex (Pièces 1 à 40)	Duplex oil filter (Parts 1 up to and 40)
1	620.031.1101.04	1	Filterkop	Couvercle filtre	Filter head
2	620.031.1102.04	2	Moer	Ecrou	Nut
3	620.031.1103.04	2	Sluistring	Rondelle	Washer
4	620.031.1104.04	2	Filter element	Cartouche filtrante	Element cartridge
5	620.031.1105.04	2	Filterkuip	Cuve	Case
6	620.031.1106.04	2	Dichting kop	Joint couvercle	Head joint
9	100.101.006.065	2	Vijs	Vis	Screw
13	620.031.1113.04	2	Zuiveringsklep	Soupape d'épuration	Purge valve
14	620.031.1114.04	8	Tapeind	Goujon	Stud
18	620.031.1118.04	2	Dichting	Joint	Joint
19	620.031.1119.04	1	Handvat	Poignée	Handle
20	620.031.1120.04	1	O-ring	Joint torique	O-ring
21	620.031.1121.04	1	O-ring	Joint torique	O-ring
22	620.031.1122.04	2	Stop Pin	Stop Pin	Stop Pin
23	620.031.1123.04	1	Label	Label	Label
25	620.031.1125.04	1	Spie	Clavette	Key
26	620.031.1126.04	2	Externe circlips	External circlips	External circlips
27	620.031.1127.04	2	Locator	Locator	Locator
28	620.031.1128.04	2	Dichting	Joint	Joint
29	620.031.1129.04	2	Sluistring	Rondelle	Washer
30	620.031.1130.04	2	Veer	Ressort	Spring
31	100.102.010.020	1	Vijs	Vis	Screw
32	100.230.010.000	1	Onderlegging	Rondelle	Washer
33	620.031.7100.04	1	Buis	Tuyau	Pipe
34	620.031.7200.04	1	Buis	Tuyau	Pipe
35	100.076.913.000	4	Stop	Bouchon	Drain plug
36	100.102.006.012	2	Vijs	Vis	Screw
37	100.250.006.000	2	Veerring	Rondelle	Washer
39	100.130.008.020	16	Vijs	Vis	Screw
40	100.201.006.000	2	Moer	Ecrou	Nut
41	900.105.513.017	2	Vijs	Vis	Screw
42	100.250.004.000	2	Veerring	Rondelle	Washer
43	620.031.1140.04	1	Steun vervuilingsindicator	Support d'indicateur de colmatage	Support of indicator unit
44	620.031.1117.04	1	Vervuilingsindicator	Indicateur de colmatage	Indicator unit
45	620.039.9004.04	2	Dichting	Joint	Joint



Fig. nr.	CODE	aant./mot. quant./mot. number/eng	BENAMING	DESIGNATION	DESCRIPTION
46	900.210.921.195	8	Moer	Ecrou	Nut
47	100.230.012.000	8	Onderlegging	Rondelle	Washer

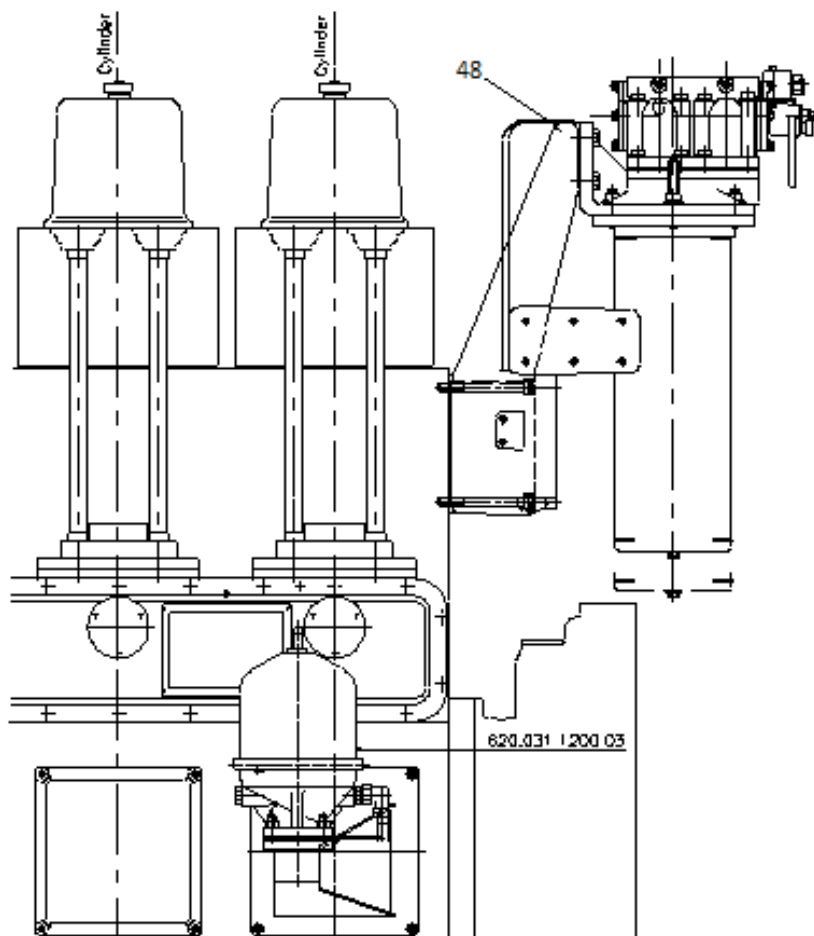


Fig. nr.	CODE	aant./mot. quant./mot. number/eng	BENAMING	DESIGNATION	DESCRIPTION
48 (a)	620.031.9001.01	1	Steun oliefilter	Support filtre d'huile	Support oil filter
48 (b)	620.031.9001.03	1	Steun oliefilter (C9)	Support filtre d'huile (C9)	Support oil filter (C9)

(a) Standaard / Standard

(b) Voor cilinderblok met verlaagd bovendeck / Bloc-cylindre avec tête réduit / Cylinder housing with lowered deck.

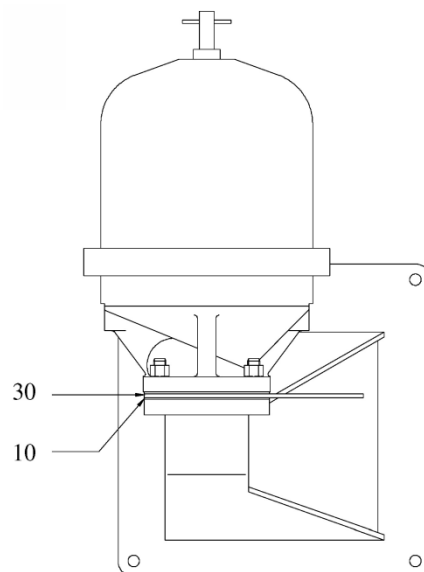
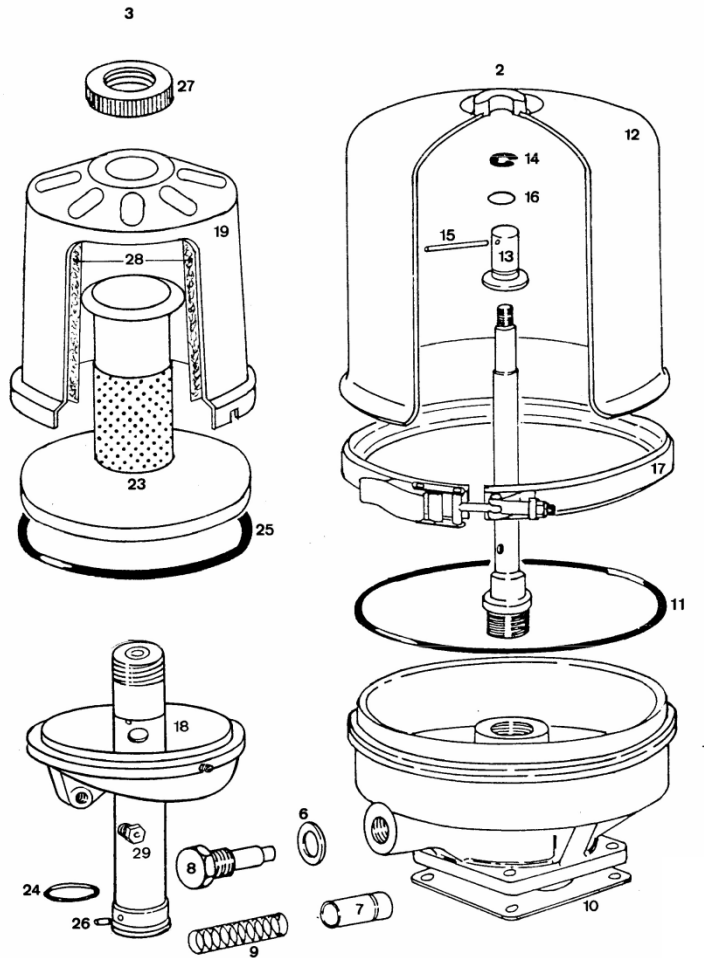




Fig. nr.	CODE	aant./mot. quant./mot. number/eng	BENAMING	DESIGNATION	DESCRIPTION
-	620.031.1200.03	1	Centrifugaalfilter (stukken 1 t/m 29, stuk 10 1x)	Filtre centrifuge (pièces 1 à 29 inclus, pièce 10 1x)	Centrifugal filter (parts 1 up to and incl.29, part 10 1x)
1	620.031.1201.02	1	Sam.lichaam compleet	Ass.corps complete	Body ass.complete
2	620.031.1202.03	1	Sam.deksel lichaam compleet	Ass.couvercle corps complete	Body cover ass.complete
3	620.031.1203.03	1	Sam.rotor compleet	Ass.rotor complete	Rotor ass.complete
6	620.031.1206.02	1	Dichtingsring	Joint	Joint
7	620.031.1207.02	1	Klep	Soupape	Shuttle
8	620.031.1208.02	1	Stop	Bouchon	Plug
9	620.031.1209.02	1	Veer	Ressort	Spring
10	620.031.1210.02	2	Dichting	Joint	Joint
11	620.031.1211.02	1	O-ring	Joint torique	Seal O-ring
12	620.031.1212.03	1	Deksel	Couvercle	Cover
13	620.031.1213.02	1	Sluitmoer deksel	Ecrou de fermeture couvercle	Cover fixing nut
14	620.031.1214.02	1	Circlips	Circlips	Circlips
15	620.031.1215.02	1	Pen	Cheville	Pin
16	620.031.1216.02	1	O-ring	Joint torique	Seal O-ring
17	620.031.1218.02	1	Spanring	Collier de serrage	Cover clamp ring
18	620.031.1219.03	1	Basis	Base	Base
19	620.031.1220.02	1	Deksel	Couvercle	Cover
20	620.031.1221.03	1	Lager buis	Tube de roulement	Bearing tube
23	620.031.1224.02	1	Oliedooraatpijp	Tube passage d'huile	Stand tube
24	620.031.1225.02	1	Circlips	Circlips	Circlips
25	620.031.1226.02	1	O-ring	Joint torique	Seal O-ring
26	620.031.1227.02	1	Pen	Cheville	Pin
27	620.031.1228.02	1	Moer deksel	Ecrou couvercle	Cover nut
28	620.031.1229.02	1	Papierstrook	Bande de papier	Paper insert
29	620.031.1219.01	2	Sproeier	Buze	Nozzle
30	620.031.9001.06	1	Tussenflens	Intermediate flange	Bride intermediaire
- (c)	620.082.5700.07	1	Set dichtingen (stukken 6-10-11-16-25)	Jeu de joints (pcs.6-10-11-16-25)	Set of gaskets (parts 6-10-11-16-25)

(c) 1 set per filter

1 jeu par filtre

1 set per filter