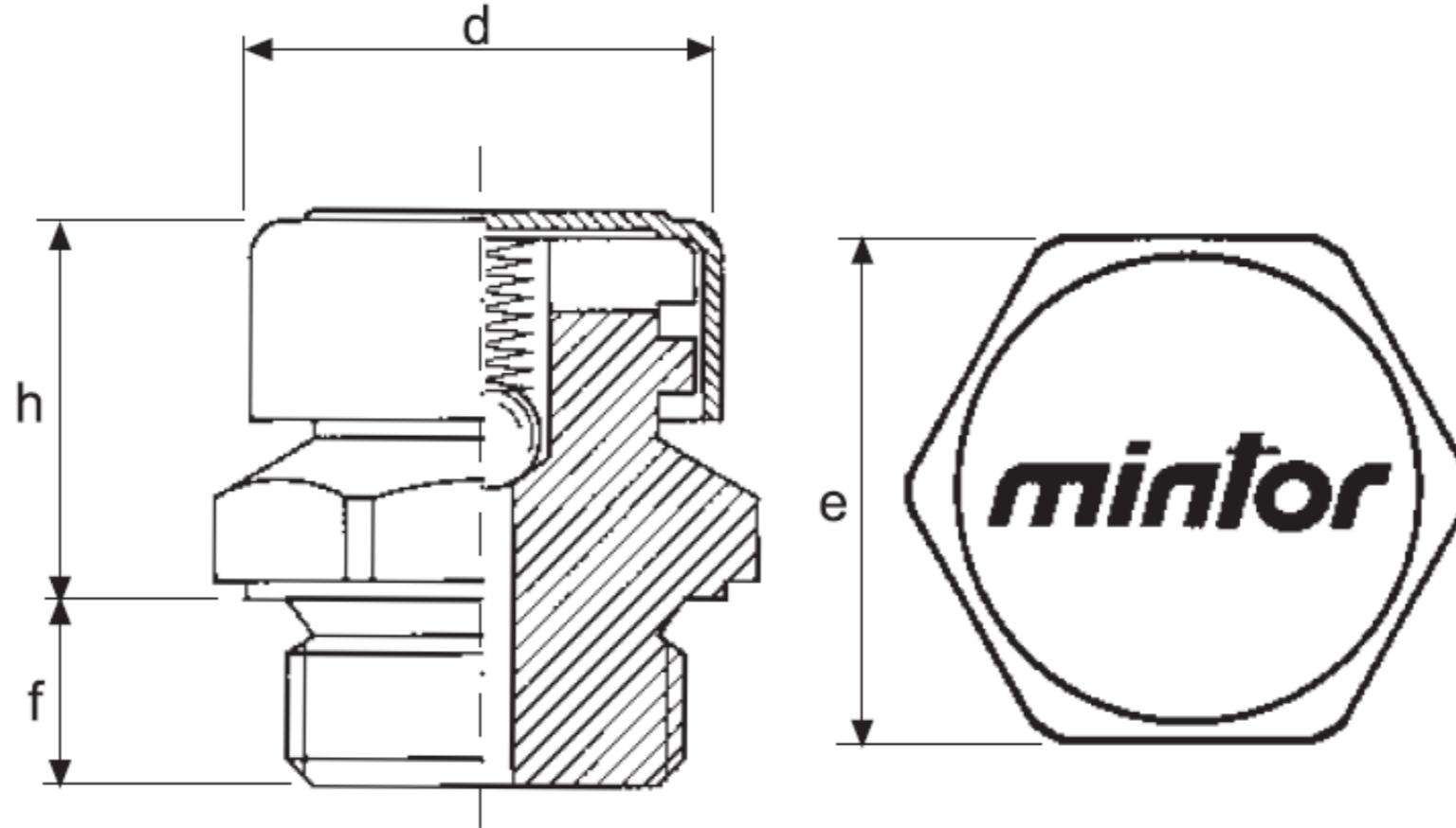


NOTES:

1. THIS DRAWING IS PREPARED ACCORDING TO THE FNSS DRAFTING MANUAL

2. ONLY THE ITEM DESCRIBED ON THIS DRAWING WHEN PROCURED FROM THE VENDOR(S) LISTED HEREON IS APPROVED BY THE FNSS FOR USE IN THE APPLICATION(S) SPECIFIED HEREON. A SUBSTITUTE ITEM SHALL NOT BE USED WITHOUT PRIOR TESTING AND APPROVAL BY FNSS ENGINEERING DEPARTMENT

APPROVED VENDOR
VENDOR: Mintor S.r.l
Via del Lavoro 3/5/7 - Z.I. Prado
27010 Cura Carpignano (PV) Italia
CAGE CODE:-
VENDOR PART NO:-



FNSS
MÜHENDİSLİK
ARÇE ve MÜHENDİSLİK
TASLAK / DRAFT COPY
20/11/2019
REV D2

PartName	Description	SERIE MB	d(mm)	h(mm)	f(mm)	e(mm)	VENDOR PART NAME
901132-101	BREATHER PLUG	10x1	13.80	16.00	8.00	14.00	1MTSS00M
901132-102	BREATHER PLUG	16x1.5	21.00	19.00	11.00	22.00	1MTSS20M
901132-103	BREATHER PLUG	20x1.5	24.00	20.00	11.00	24.00	1MTSS40M
901132-104	BREATHER PLUG	24x2	30.00	24.00	12.00	30.00	1MTSS60M

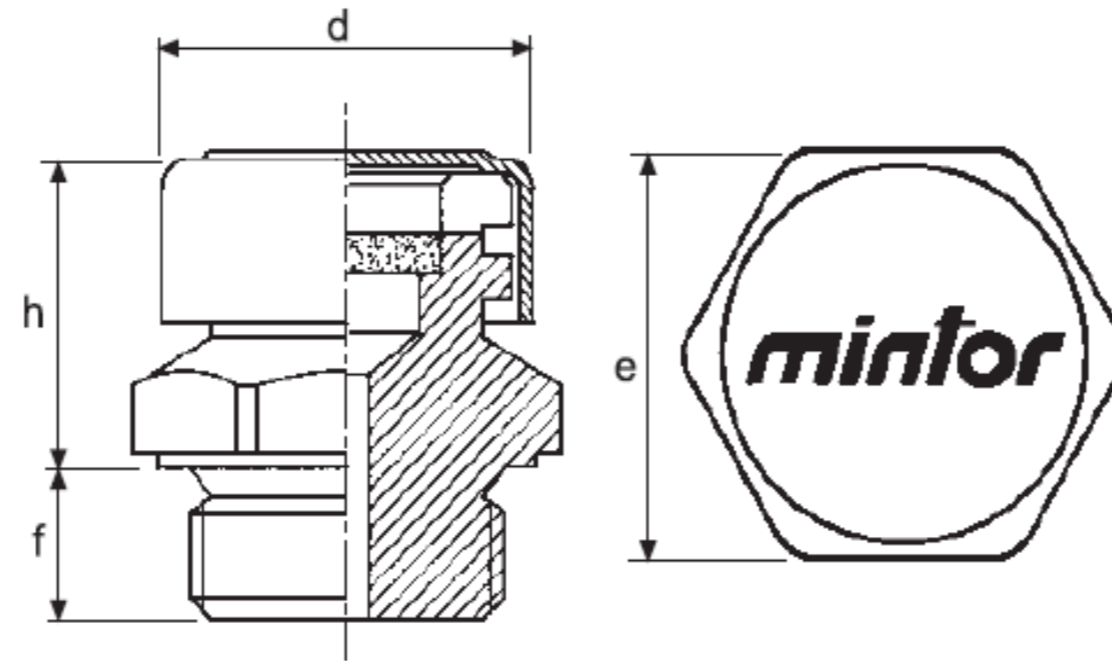
PartName	Description	GAS(in)	d(mm)	h(mm)	f(mm)	e(mm)	VENDOR PART NAME
901132-301	BREATHER PLUG	1/8"	13.80	16.00	8.00	14.00	1GTSS00M
901132-302	BREATHER PLUG	1/4"	16.50	17.00	9.50	17.00	1GTSS10M
901132-303	BREATHER PLUG	3/8"	21.00	19.00	11.00	22.00	1GTSS20M
901132-304	BREATHER PLUG	1/2"	26.00	20.00	11.00	27.00	1GTSS30M
901132-305	BREATHER PLUG	3/4"	30.00	24.00	12.00	32.00	1GTSS40M
901132-306	BREATHER PLUG	1"	38.00	29.00	14.00	40.00	1GTSS50M

SOURCE CONTROL DRAWING / TEDARİKÇİ KONTROLLÜ RESİM

AKSI BELİRTİLMEDİKÇE UNLESS OTHERWISE SPECIFIED TOLERANSLAR / TOLERANCES ON AÇI / ANGLES ON/DALIM / DECIMALS ± 3° X ± 2 BİRİM / UNIT X,X ± 1,0 mm X,XX ± 0,50		SÖZLEŞME / CONTRACT NO - TARİH / DATE 03/05/2019		FNSS SAVUNMA SİSTEMLERİ A.Ş. Gölbaşı, 06830, Ankara, Türkiye Tel: +90-312-497 4300 Web: www.fnss.com.tr	
CİZEN / DRAWN D.BIYIKLI		KONTROL / CHECKED C.OZCAN		BREATHHER PLUG	
MÜHENDİS / ENGINEER D.TOPCU		FONK. YNT. / FUNC. MNG. O.ÖRNEK		BOYUT SIZE A3	
ONAY / APPROVED C.OZELCI		KOD / CODE NO T0720		DOKÜMAN / DRAWING NO 901132	
ÖLÇEK SCALE --		AĞIRLIK WEIGHT -		SAYFA SHEET 1/2	

999999	Common_Parts
ÜST KOMPLE NEXT ASSY	PROJE USED ON
UYGULAMA / APPLICATION	

FNSS
 ARGE ve MÜHENDİSLİK
 TASLAK / DRAFT COPY
 2011/2019
 REV D2



PartName	Description	SERIE MB	d(mm)	h(mm)	f(mm)	e(mm)	VENDOR PART NAME
901132-201	BREATHER PLUG	10x1	13.80	16.00	8.00	14.00	1MTSFA0M
901132-202	BREATHER PLUG	12x1.5	16.50	17.00	8.00	17.00	1MTSFA1M
901132-203	BREATHER PLUG	16x1.5	21.00	19.00	11.00	22.00	1MTSFA3M
901132-204	BREATHER PLUG	20x1.5	24.00	20.00	11.00	24.00	1MTSFA5M
901132-205	BREATHER PLUG	24x1.5	30.00	24.00	12.00	30.00	1MTSFA7M

PartName	Description	GAS	d(mm)	h(mm)	f(mm)	e(mm)	VENDOR PART NAME
901132-401	BREATHER PLUG	1/8"	13.80	16.00	8.00	14.00	1GTSFA0M
901132-402	BREATHER PLUG	1/4"	16.50	17.00	8.00	17.00	1GTSFA1M
901132-403	BREATHER PLUG	3/8"	21.00	19.00	11.00	22.00	1GTSFA2M
901132-404	BREATHER PLUG	1/2"	26.00	20.00	11.00	27.00	1GTSFA3M
901132-405	BREATHER PLUG	3/4"	30.00	24.00	12.00	32.00	1GTSFA4M
901132-406	BREATHER PLUG	1"	38.00	29.00	14.00	40.00	1GTSFA5M

AKSI BELİRTİLMEDİKÇE UNLESS OTHERWISE SPECIFIED TOLERANSLAR / TOLERANCES ON AÇI / ANGLES ON DIMALS ± 3° X ± 2 BİRİM / UNIT X, X ± 1,0 mm X, XX ± 0,50		SÖZLEŞME / CONTRACT NO - TARİH / DATE 03/05/2019		FNSS SAVUNMA SİSTEMLERİ A.Ş. Gölbaşı, 06830, Ankara, Türkiye Tel: +90-312-497 4300 Web: www.fnss.com.tr	
ÇİZEN / DRAWN D.BIYIKLI		KONTROL / CHECKED C.OZCAN		BREATHING PLUG	
MÜHENDİS / ENGINEER		FONK. YNT. / FUNC. MNG. O.ÖRNEK		BOYUT SIZE A3	
ONAY / APPROVED C.OZELCI		KOD / CODE NO T0720		DOKÜMAN / DRAWING NO 901132	
ÖLÇEK SCALE C.OZELCI		AĞIRLIK WEIGHT - KG		SAYFA SHEET 2/2	