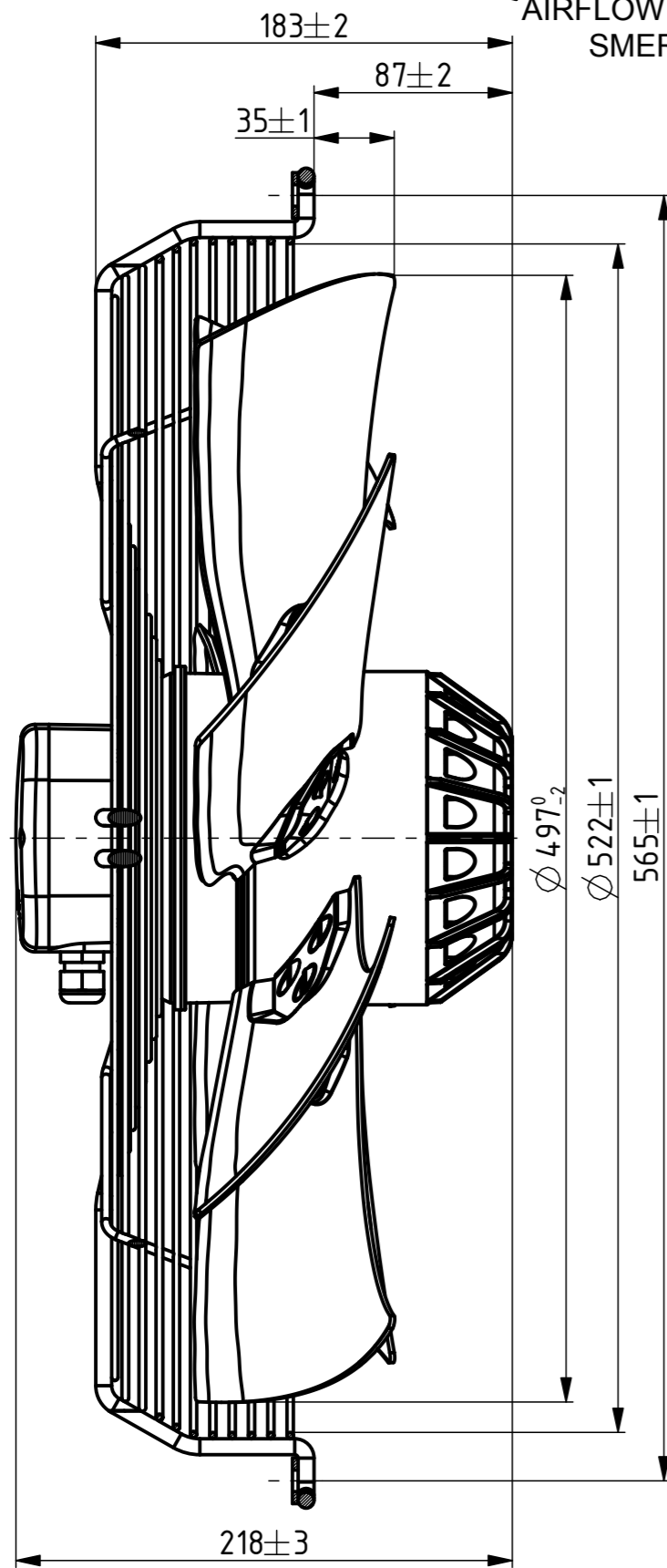
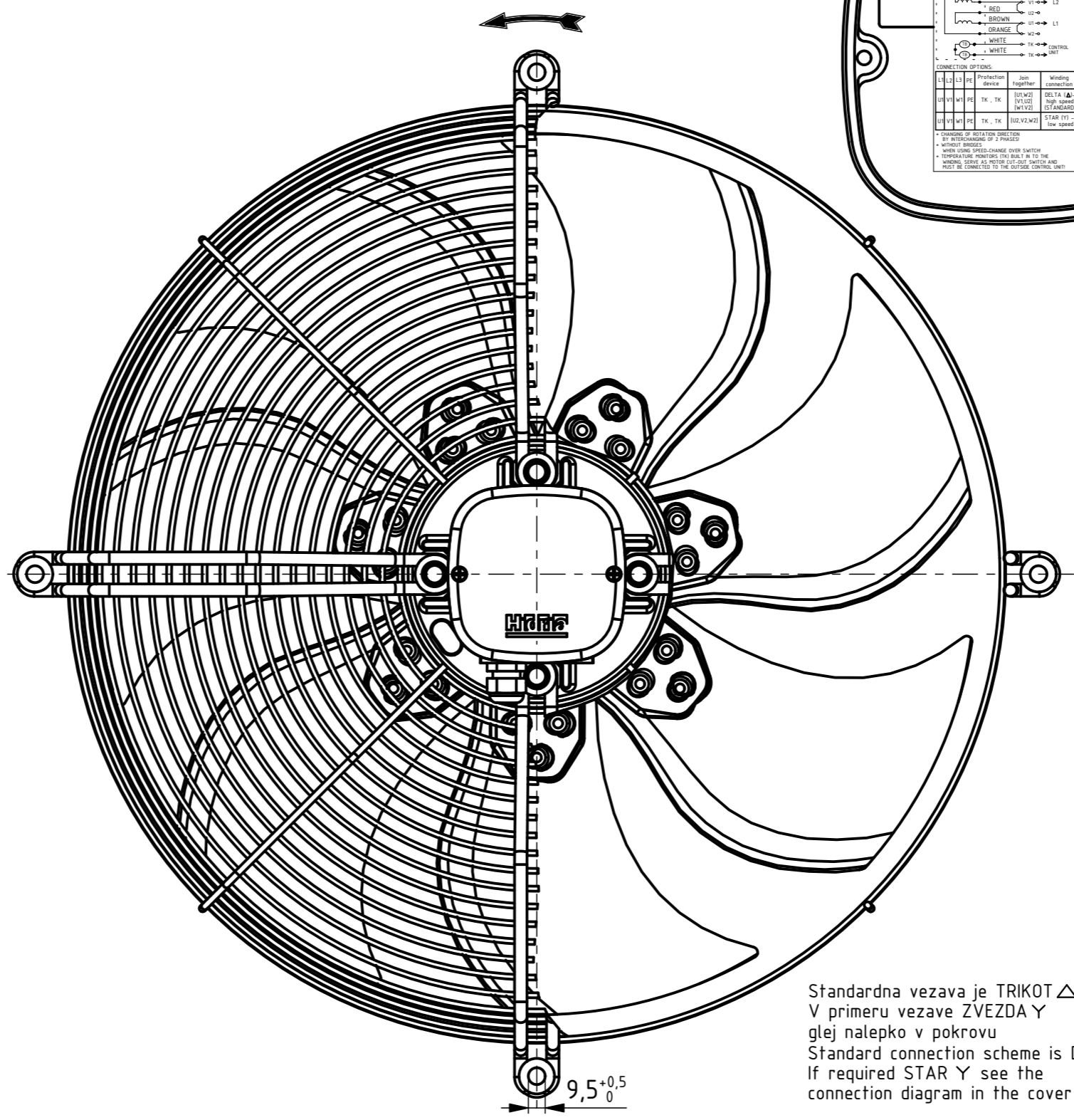


All drawings, regardless of form, are owned by Hidria Rotomatika d.o.o. and are strictly confidential and present copyright. Intellectual Property Rights as follows rights under the laws of patents, petty patents, design patents and registered designs, copyrights, trade secret rights, and similar exclusive rights in industrial property connected with the drawings are reserved by Hidria Rotomatika d.o.o.. Disclosure to any third party is strictly forbidden.

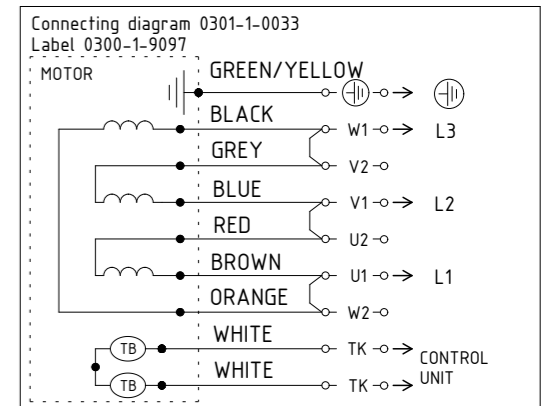
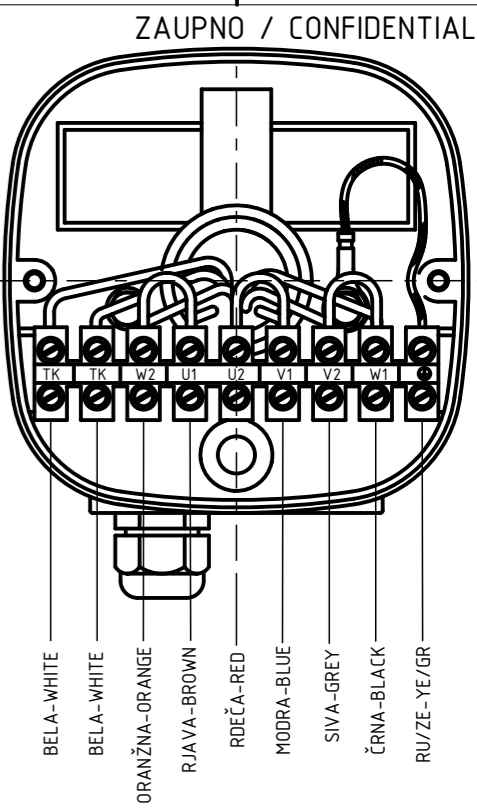
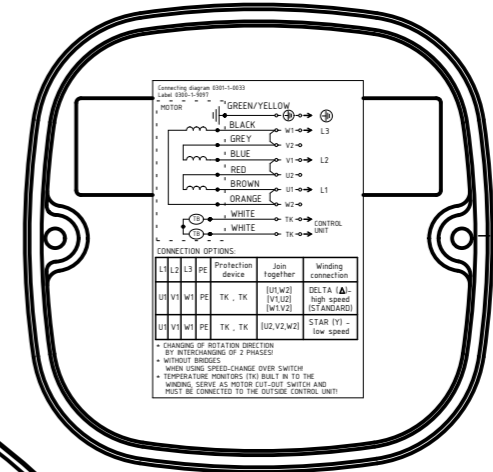
Risbe so last družbe Hidria-Rotomatika d.o.o. in predstavljajo poslovno skrivnost in so avtorsko delo. Vse pravice iz patentov, blagovnih znamk in modelov povezanih z risbami pripadajo družbi Hidria Rotomatika d.o.o.. Vsak prenos tretjim osebam brez pismene dovoljenja družbe Hidria Rotomatika d.o.o. je strogo prepovedan.



SUCKING
AIRFLOW DIRECTION
SMER ZRAKA



Standardna vezava je TRIKOT Δ
V primeru vezave ZVEZDA Y
glej nalepko v pokrovu
Standard connection scheme is DELTA Δ
If required STAR Y see the
connection diagram in the cover



CONNECTION OPTIONS:

L1	L2	L3	PE	Protection device	Join together	Winding connection
U1	V1	W1	PE	TK, TK	[U1,W2] [V1,U2] [W1,V2]	DELTA (Δ) - high speed (STANDARD)
U1	V1	W1	PE	TK, TK	[U2,V2,W2]	STAR (Y) - low speed

* CHANGING OF ROTATION DIRECTION BY INTERCHANGING OF 2 PHASES!
* WITHOUT BRIDGES
* WHEN USING SPEED-CHANGE OVER SWITCH!
* TEMPERATURE MONITORS (TK) BUILT IN TO THE WINDING, SERVE AS MOTOR CUT-OUT SWITCH AND MUST BE CONNECTED TO THE OUTSIDE CONTROL UNIT!

Opombe: VENTILATOR NEBARVAN Not coloured fan

Vzmetna ploščica na kabelski strani
- navodilo za kontrolo ventilatorja 0301-1-4881
- checking instructions 0301-1-4881

Hidria MADE IN SLOVENIA **CE** DATE

R13R-5030HA-4T2-70101 0313-4-1168

3~400V 50Hz D/Y 770/590W 1,6/0,96A 1380/1165RPM
MAX.AMB.55/65° C IP54 INS.CL.155
TH.PROT. ROT.

ErP: Effes=33,1% (A,static) N=40,2

AB	AB	Zamenja se zaščitno mrežo 0300-1-3091 z zaščitni mreževo 0300-1-3004. Spremeni se verzija artikla AA v AB. Risba v Windchillu je skladna z risbo v arhivu.	01.04.15	Uroš T.
AA	AA	1. izdaja; Risba v Windchillu je skladna z risbo v arhivu.	02.02.15	Uroš T.
Verzija Artikla:	Verzija risbe:	Opis spremembe:	Datum:	Izdelal:
Article revision:	DRW Revision:	Description of change:	Date:	Produced:

KONSTRUIRAL / DRN: 01.04.2015 Uroš Kunc

ODOBRIL / APP:

POVRŠINSKA OBD. SURFACE TEXTURE

MATERIAL

KODA MATERIALA MATERIAL CODE

MASA: MASS:

NETOL. MERE/UNTOL DIM ISO 2768-m DZJ

MERILO/FORMAT 33:100/A3

NAZIV: TITLE: **VENTILATOR R13R-5030HA-4T2-70101**

KODA: CODE: 0313-4-1168 0313-4-1168

VERZIJA ARTIKLA: REVISION ARTICLE: AB

VERZIJA RISBE: DRW REVISION: AB.2

LIST/SHEET: 1/1

ZAUPNO / CONFIDENTIAL