



**PITestop**


Control and signal devices

**PILZ**  
THE SPIRIT OF SAFETY

This document is a translation of the original document.

All rights to this documentation are reserved by Pilz GmbH & Co. KG. Copies may be made for internal purposes. Suggestions and comments for improving this documentation will be gratefully received.

Pilz®, PIT®, PMI®, PNOZ®, Primo®, PSEN®, PSS®, PVIS®, SafetyBUS p®, SafetyEYE®, SafetyNET p®, the spirit of safety® are registered and protected trademarks of Pilz GmbH & Co. KG in some countries.

 SD means Secure Digital

<b>Introduction</b>	<b>4</b>
Validity of documentation	4
Using the documentation	4
Definition of symbols	4
<b>Safety</b>	<b>5</b>
Intended use	5
Safety regulations	6
Safety assessment	6
Use of qualified personnel	6
Warranty and liability	6
Disposal	6
For your safety	6
<b>Unit features</b>	<b>7</b>
<b>Function description</b>	<b>7</b>
Modules	7
<b>Installation</b>	<b>9</b>
<b>Preparing for operation</b>	<b>12</b>
<b>Dimensions</b>	<b>14</b>
<b>Technical details</b>	<b>18</b>
Safety characteristic data	20
<b>Order reference</b>	<b>20</b>
Product	20
Accessories	21
<b>EC declaration of conformity</b>	<b>21</b>

## Introduction

### Validity of documentation

This documentation is valid for the product PITestop. It is valid until new documentation is published.

This operating manual explains the function and operation, describes the installation and provides guidelines on how to connect the product.

### Using the documentation

This document is intended for instruction. Only install and commission the product if you have read and understood this document. The document should be retained for future reference.

### Definition of symbols

Information that is particularly important is identified as follows:



#### **DANGER!**

This warning must be heeded! It warns of a hazardous situation that poses an immediate threat of serious injury and death and indicates preventive measures that can be taken.



#### **WARNING!**

This warning must be heeded! It warns of a hazardous situation that could lead to serious injury and death and indicates preventive measures that can be taken.



#### **CAUTION!**

This refers to a hazard that can lead to a less serious or minor injury plus material damage, and also provides information on preventive measures that can be taken.



#### **NOTICE**

This describes a situation in which the product or devices could be damaged and also provides information on preventive measures that can be taken. It also highlights areas within the text that are of particular importance.

**INFORMATION**

This gives advice on applications and provides information on special features.

**Safety****Intended use**

The device PITestop is intended for use in safety circuits in accordance with IEC/EN 60947-5-1, IEC/EN 60947-5-5, EN 60204-1, EN ISO 13849-1. Before using the device, a safety assessment of the overall system must be performed in accordance with the Machinery Directive.

**CAUTION!**

It must not be possible to defeat the E-STOP pushbuttons. Otherwise material damage and severe injuries may result, depending on the application.

The E-STOP pushbutton may **not** be used in place of other safety measures.

The following is deemed improper use in particular:

- ▶ Any component, technical or electrical modification to the product
- ▶ Use of the product outside the areas described in this manual
- ▶ Use of the product outside the technical details (see chapter entitled "Technical Details").

## Safety regulations

### Safety assessment

Before using a unit it is necessary to perform a safety assessment in accordance with the Machinery Directive.

Functional safety is guaranteed for the product as a single component. However, this does not guarantee the functional safety of the overall plant/machine. In order to achieve the required safety level for the overall plant/machine, define the safety requirements for the plant/machine and then define how these must be implemented from a technical and organisational standpoint.

### Use of qualified personnel

The products may only be assembled, installed, programmed, commissioned, operated, maintained and decommissioned by competent persons.

A competent person is someone who, because of their training, experience and current professional activity, has the specialist knowledge required to test, assess and operate the work equipment, devices, systems, plant and machinery in accordance with the general standards and guidelines for safety technology.

It is the company's responsibility only to employ personnel who:

- ▶ Are familiar with the basic regulations concerning health and safety / accident prevention
- ▶ Have read and understood the information provided in this description under "Safety"
- ▶ And have a good knowledge of the generic and specialist standards applicable to the specific application.

### Warranty and liability

All claims to warranty and liability will be rendered invalid if

- ▶ The product was used contrary to the purpose for which it is intended
- ▶ Damage can be attributed to not having followed the guidelines in the manual
- ▶ Operating personnel are not suitably qualified
- ▶ Any type of modification has been made (e.g. exchanging components on the PCB boards, soldering work etc.).

### Disposal

- ▶ In safety-related applications, please comply with the mission time  $T_M$  in the safety-related characteristic data.
- ▶ When decommissioning, please comply with local regulations regarding the disposal of electronic devices (e.g. Electrical and Electronic Equipment Act).

### For your safety

The unit meets all the necessary conditions for safe operation. However, please note the following:

- ▶ Check the function of the pushbutton before commissioning for the first time and then at regular intervals (at least annually).

## Unit features

The device consists of an actuator PIT es and a contact block PIT esc. Various types are available; these can be ordered as sets or can be put together as modular assemblies.

Features:

- ▶ Panel mount version or surface mount version with two-part enclosure (box)
- ▶ Turn in either direction to release or turn right for key-release
- ▶ various actuators
  - Standard actuator
  - Actuator with key-release
  - Illuminated actuator
  - Black stop actuators or red E-STOP actuators
- ▶ Contact blocks for applications up to PL e of EN ISO 13849-1 and SIL CL 3 of EN IEC 62061

## Function description

The **PIT es** units are E-STOP and Stop pushbuttons.

The **PIT es E-STOP pushbuttons** are used to shut down plant and machine sections in order to reduce or avert imminent or existing hazards to people and damage to machinery or materials.

The **PIT es STOP pushbuttons** are used to shut down plant and machine sections, e.g. for maintenance work.

## Modules

### Actuator:

- ▶ E-STOP actuators (red)
  - PIT es5.12 (actuator with protective collar and key-release)
- ▶ STOP actuator (black, for area shutdown)
  - PIT es1.1 (standard actuator)
  - PIT es2.12 (actuator with key-release)
  - PIT es2.13 (illuminated actuator)

### E-STOP box:

- ▶ PIT es box

### Individual contact blocks:

- ▶ PIT es safe contact block for panel mount version
  - PIT esc1 (1 N/C / N/O contact\*)
- ▶ PIT es safe contact block for surface mount version
  - PIT esc2.1 (1 N/C contact)
  - PIT esc3 (1 N/O contact)

**Contact block bracket:**

- ▶ PIT MHR3 (3 slots)
- ▶ PIT MHR5 (5 slots)

**NOTICE**

The illuminating contact block for the illuminated actuator requires one slot, the safety contact block PIT esc1 requires 2 slots.

**Contact block sets, pre-assembled with bracket:**

- ▶ PIT es safe contact block for panel mount version
  - PIT esb1 (1 N/C / N/O contact\*)
  - PIT esb1.2 (1 N/C / N/O contact\*, 1 N/C contact)
  - PIT esb1.3 (1 N/C / N/O contact\*, 1 N/C contact, 1 N/O contact)
  - PIT esb1.4 (1 N/C / N/O contact\*, 1 N/O contact)
- ▶ PIT es safe contact block for surface mount version
  - PIT esb2.1 (1 N/C contact)
  - PIT esb2.2 (2 N/C contact)
  - PIT esb2.3 (2 N/C contacts, 1 N/O contact)
  - PIT esb2.4 (1 N/C contacts, 1 N/O contact)

\* safe contact block, see [Connection diagrams](#) [ 13]

**Pre-assembled E-STOP sets:**

- ▶ PIT es Set3.1:
  - E-STOP actuator PIT es3.11
  - Contact block set PIT esb1.2
- ▶ PIT es Set3.2:
  - E-STOP actuator PIT es3.11
  - Contact block set PIT esb1.2
- ▶ PIT es Set4.1:
  - E-STOP actuator PIT es3.11
  - E-STOP box PIT es box
  - Contact block set PIT esb1.2
- ▶ PIT es Set4.2:
  - E-STOP actuator PIT es3.11
  - E-STOP box PIT es box
  - Contact block set PIT esb 2.3





## Installation




### CAUTION!

The pushbutton should always be installed with the supply voltage switched off.

### Panel mount version

- ▶ Insert the actuator into an opening in the panel (see [Opening in the panel in the panel mount version](#) [ 11])
- ▶ Use the plastic nut to secure it (24 mm spanner)
- ▶ only with illuminated actuators:
  - Attach "illuminating contact block" to the contact block bracket
  - Feed the cable through an opening in the panel (see [Opening in the panel in the panel mount version](#) [ 11]) and attach to the actuator
- ▶ Push the contact block onto the actuator and turn it clockwise to engage

### Surface mount version

- ▶ only with illuminated actuators:
  - Break out one of the holes indicated on the upper part of the surface mount housing
  - Attach "illuminating contact block" to the contact block bracket
  - Guide the cable through the opening in the upper part of the surface mount housing and connect it to the actuator
- ▶ Break out the stuffing box connection on the lower part of the surface mount housing
- ▶ Secure the lower part of the surface mount housing with two screws (see [Attachment of the enclosure for a surface mount version](#) [ 11])
- ▶ After connecting the wiring to the contact block, screw the upper part of the surface mount housing with actuator and contact block to the lower part of the enclosure

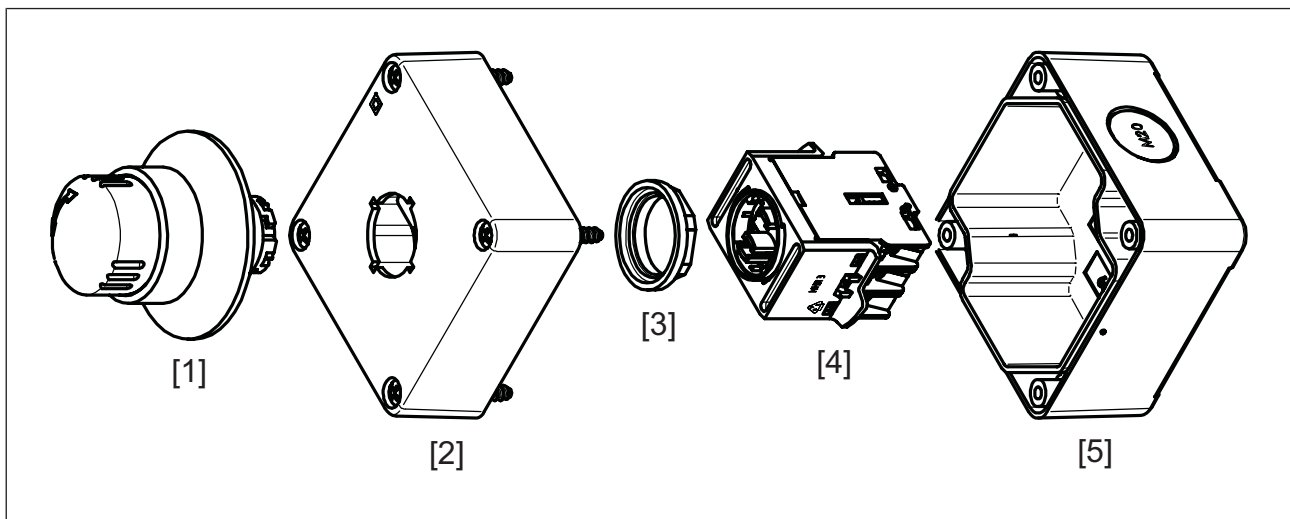


Fig.: Installing PITestop

#### Legende

- [1] Actuator
- [2] Upper part of the surface mount housing
- [3] Plastic nut
- [4] Contact block
- [5] Lower part of the surface mount housing

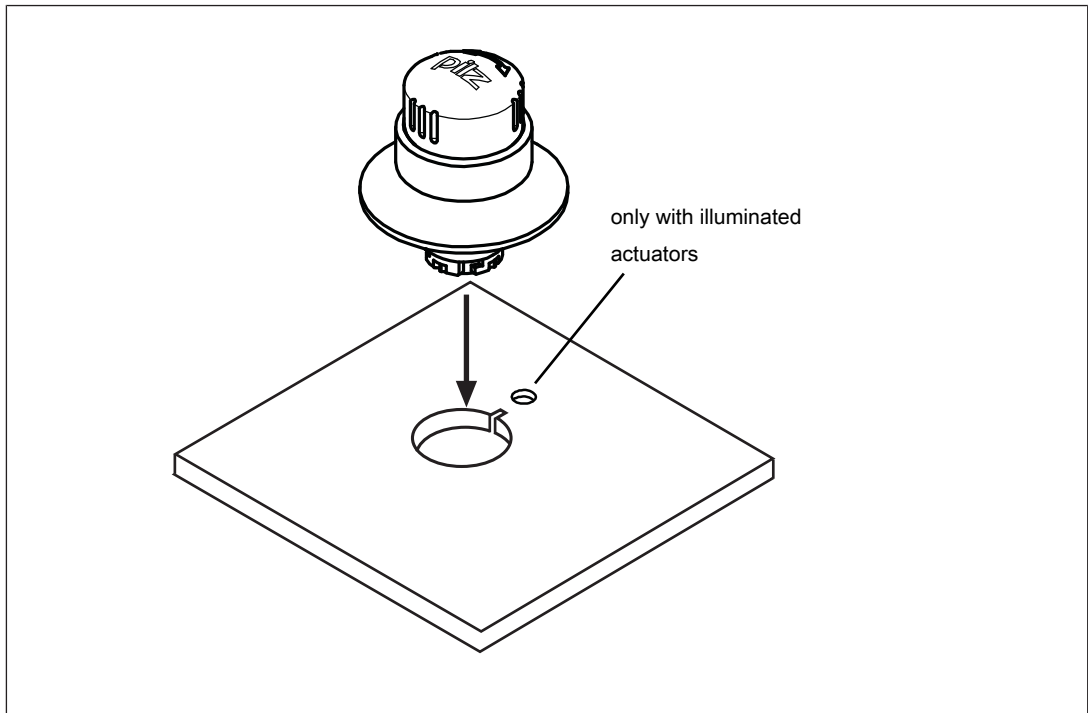


Fig.: Opening in the panel in the panel mount version

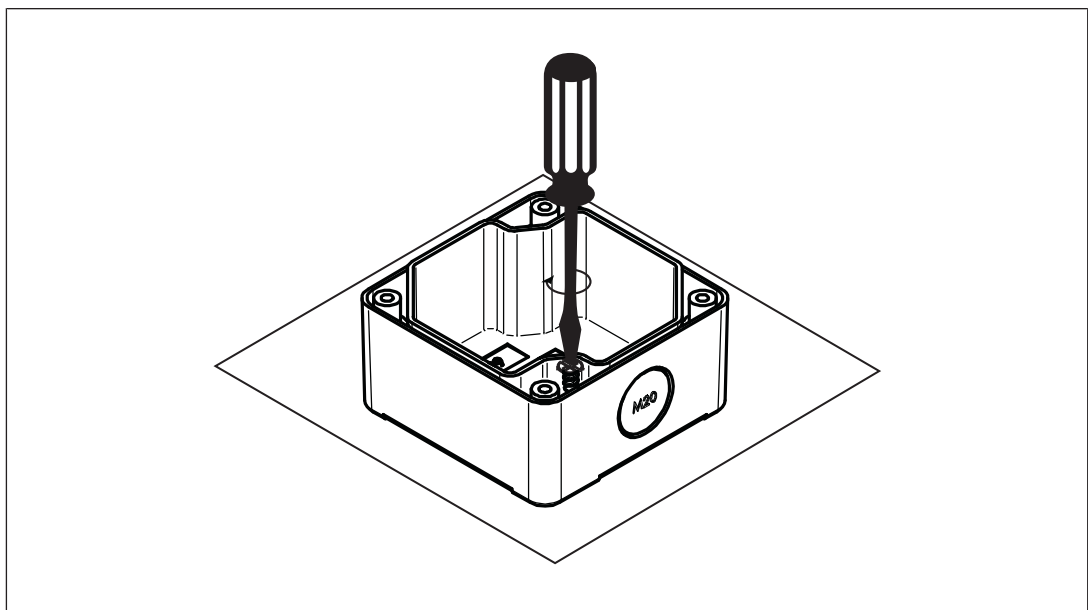


Fig.: Attachment of the enclosure for a surface mount version

## Preparing for operation



### NOTICE

Check the function of the pushbutton before commissioning for the first time and then at regular intervals (at least annually).

- ▶ The wiring is connected to the contact block via fixed terminals with a screw connection

### Version with surface mount housing

- ▶ only with illuminated actuators: Break out one of the openings indicated on the upper part of the surface mount housing
- ▶ To route the cable, break out one of the pre-prepared openings on the lower part of the surface mount housing
- ▶ Use a plastic M20 stuffing box connection for sealing and strain relief
- ▶ Make sure that the contact blocks which are installed in the enclosure are properly connected, so that - when the unit is used correctly - the requirements with regard to airgap creepage are satisfied for an enclosure with protective insulation.

### Contact blocks

The contact blocks are supplied pre-assembled in a bracket.

With the illuminated actuators the illuminating contact block must also be attached to the bracket.



### NOTICE

Please note the following when dismantling and reconnecting the individual contact blocks: The slides of the outer contact blocks must be pointing inwards, so that all of the slides are within the ring when the bracket is attached (see drawing below).

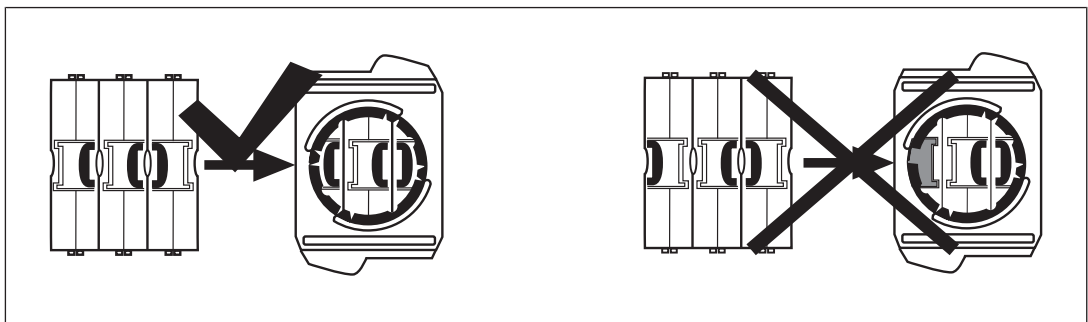
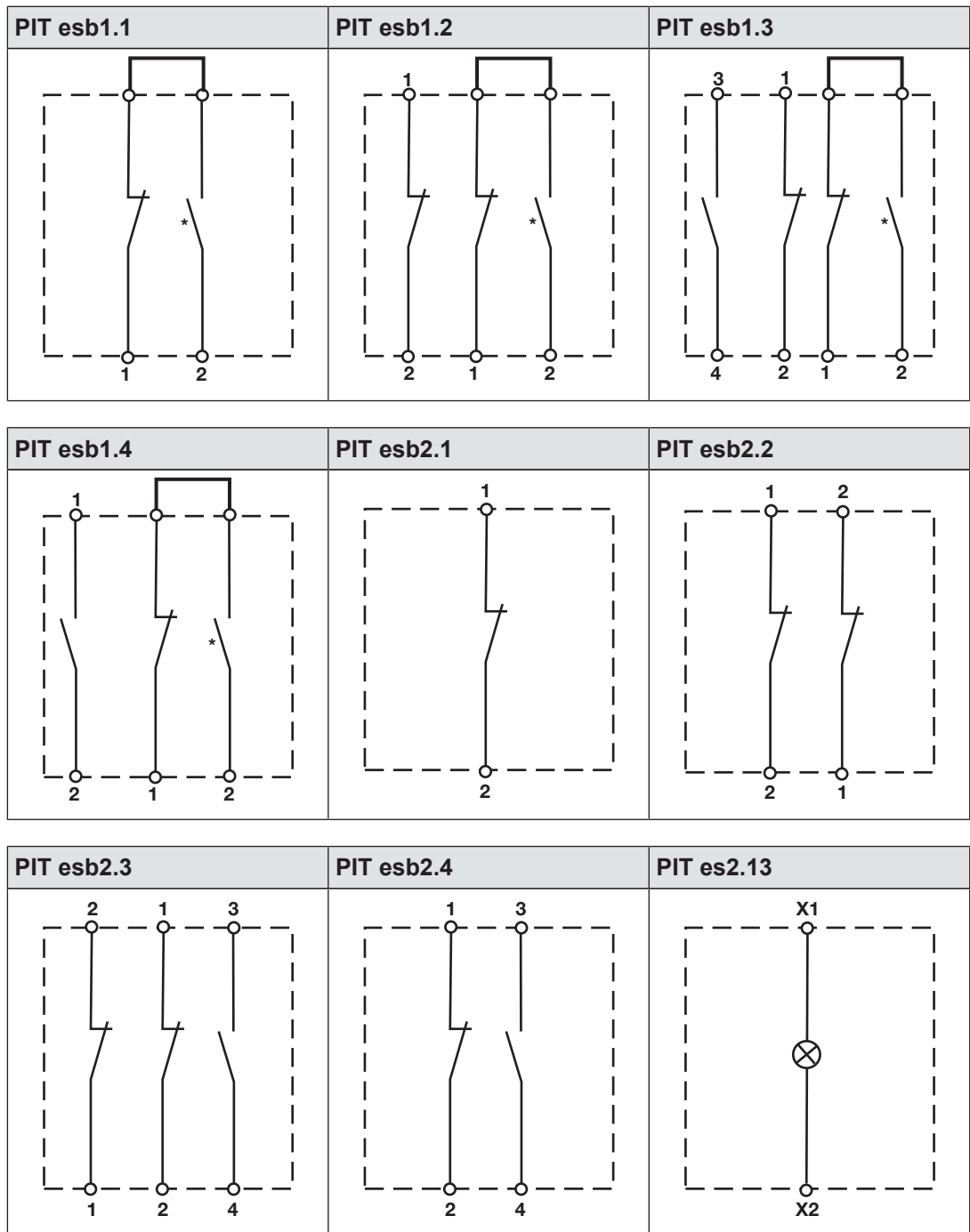


Fig.: Attachment of the enclosure

Connection diagrams



\*The contacts are closed when the actuator is snapped in place

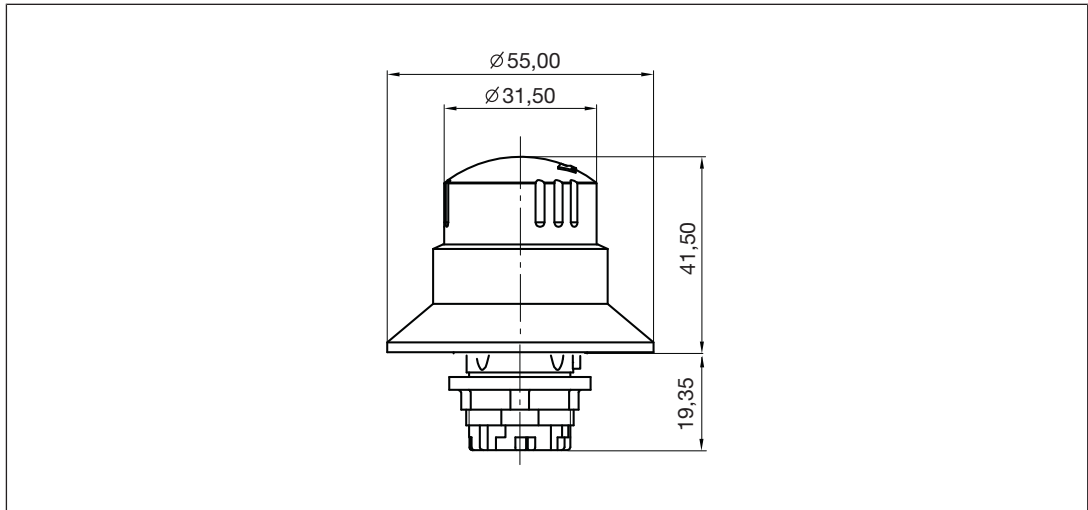


**NOTICE**

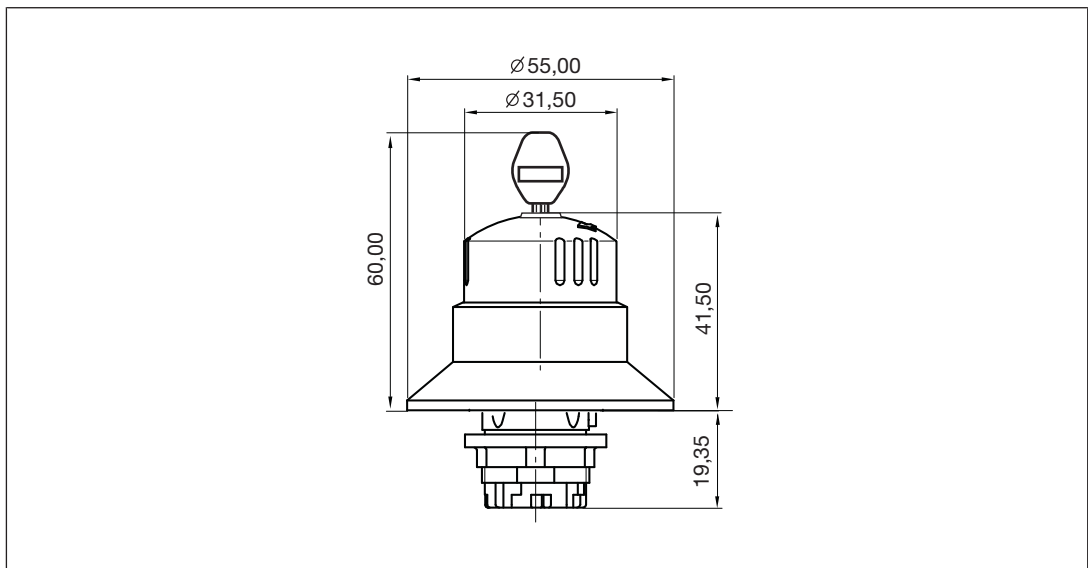
Contact block sets PIT esb1.2, PIT esb1.4 and PIT esb2.3 cannot be used with an illuminated actuator!

## Dimensions

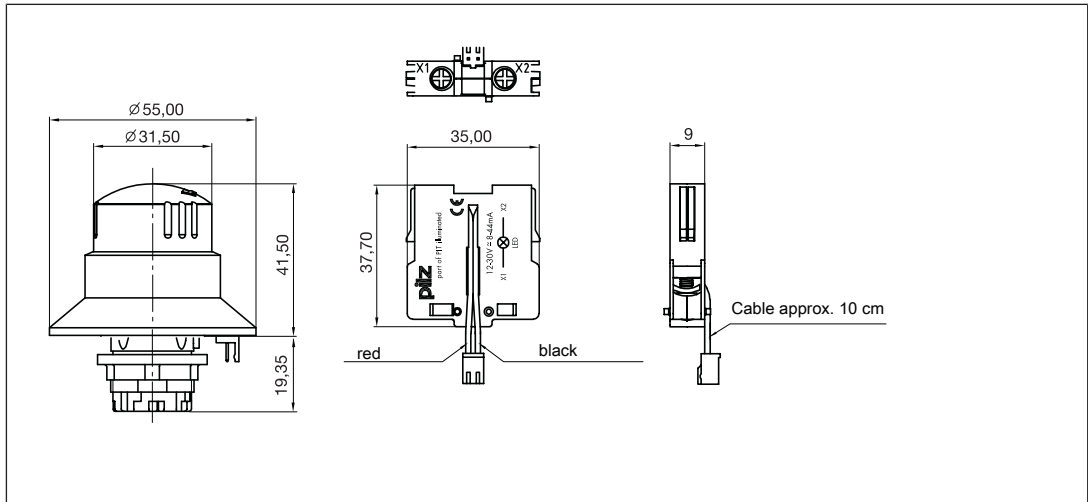
### Standard actuator (PIT es2.11)



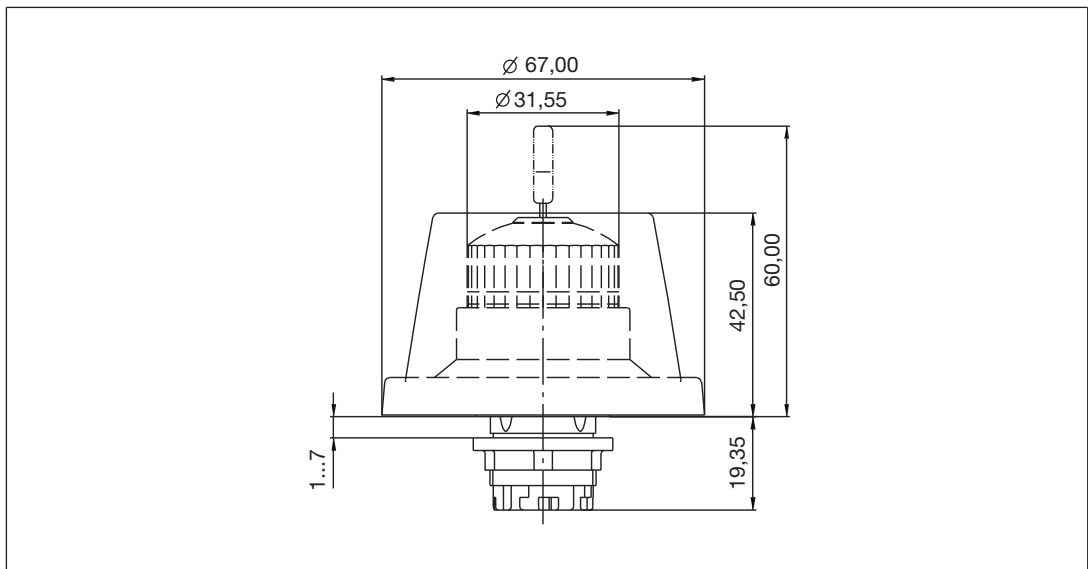
### Actuator with key-release (PIT es2.12)



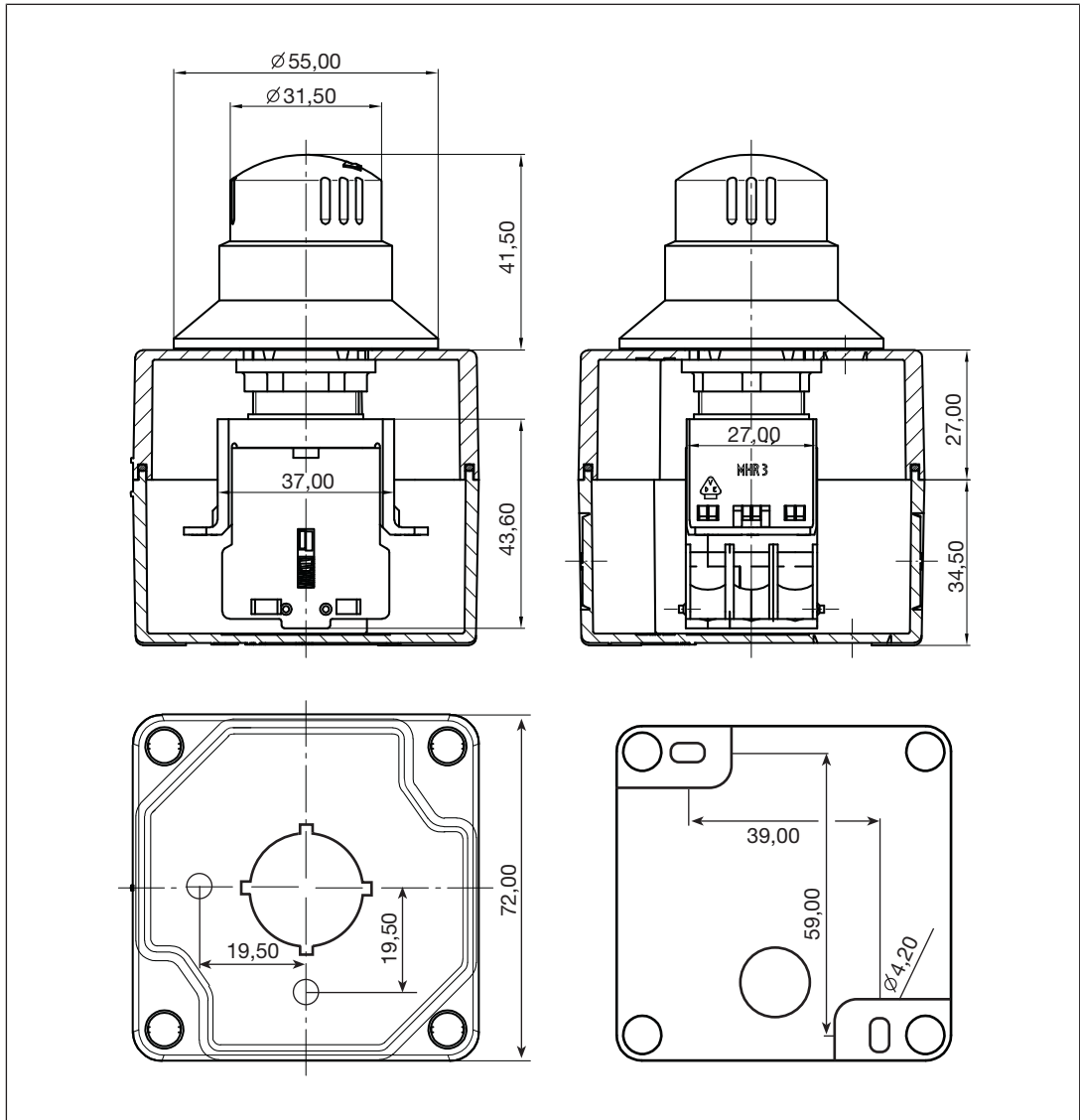
**Actuator with illumination (PIT es2.13)**



**Actuator with key-release and protective collar (PIT es5.12)**

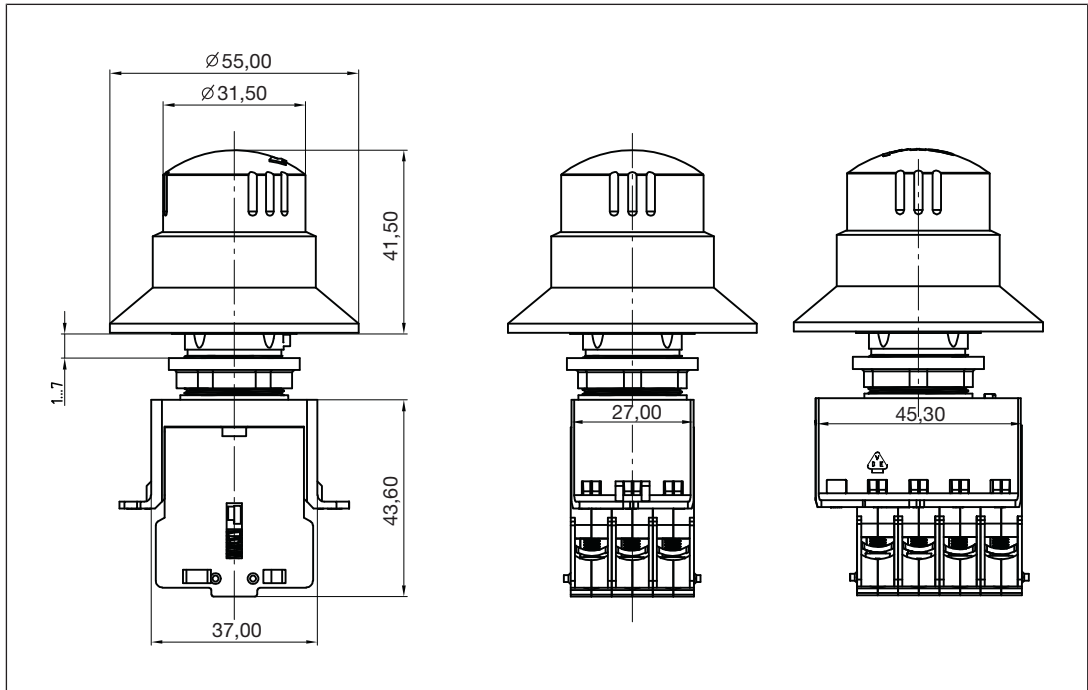


Surface mount version with standard actuator (PIT es2.11)

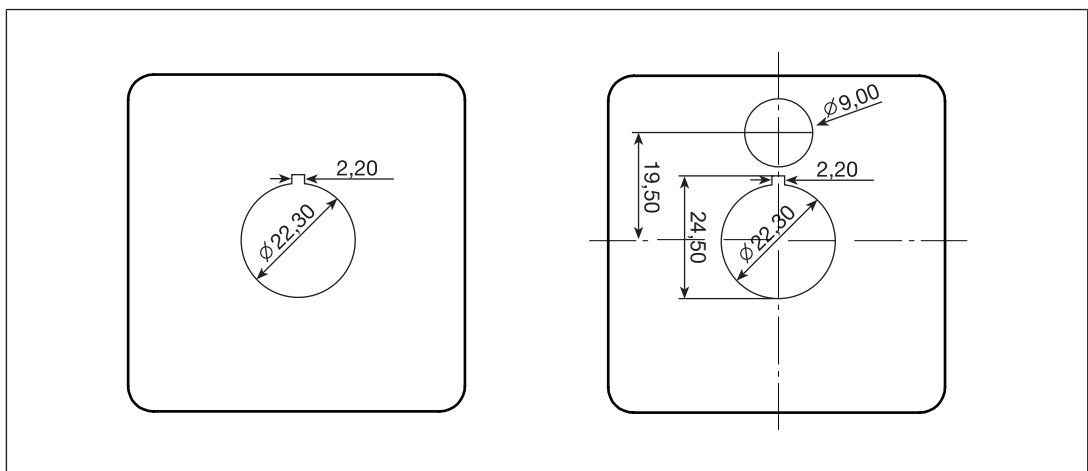




**Panel mount version with standard actuator (PIT es2.11)**



**Opening(s) in the panel**



Drawing on the right: only for illuminated actuators PIT es2.13

## Technical details

Order no. 400510 – 400511

See below for more order numbers

<b>General</b>	<b>400510</b>	<b>400511</b>
Approvals	TÜV, cULus Listed	TÜV, cULus Listed
Self-monitored	Yes	Yes
<b>Electrical data</b>	<b>400510</b>	<b>400511</b>
Min. contact current	1,00 mA	1,00 mA
<b>Relay outputs</b>	<b>400510</b>	<b>400511</b>
Utilisation category of safety contacts		
DC 1 at	440 V	440 V
Max. current	16,0 A	16,0 A
Utilisation category		
In accordance with the standard	EN 60947-5-1	EN 60947-5-1
Utilisation category of safety contacts		
AC15 at	230 V	230 V
Max. current	3,0 A	3,0 A
DC13 (6 cycles/min) at	24 V	24 V
Max. current	2,0 A	2,0 A
Conventional thermal current	16,0 A	16,0 A
<b>Environmental data</b>	<b>400510</b>	<b>400511</b>
Ambient temperature		
Temperature range	-30 - 70 °C	-30 - 70 °C
Rated insulation voltage	600 V	600 V
Protection type		
Housing	IP65	IP65
<b>Mechanical data</b>	<b>400510</b>	<b>400511</b>
Connection type	Screw terminal	Screw terminal
Dimensions		
Height	41,5 mm	41,5 mm
Width	27,0 mm	45,3 mm
Depth	43,6 mm	43,6 mm
Diameter of pushbutton	55,0 mm	55,0 mm
Weight	77 g	93 g

Where standards are undated, the 2013-05 latest editions shall apply.

## Order no. 400520 – 400521

<b>General</b>	<b>400520</b>	<b>400521</b>
Approvals	TÜV, cULus Listed	TÜV, cULus Listed
Self-monitored	No	No
<b>Electrical data</b>	<b>400520</b>	<b>400521</b>
Min. contact current	1,00 mA	1,00 mA
<b>Relay outputs</b>	<b>400520</b>	<b>400521</b>
Utilisation category of safety con- tacts		
DC 1 at	440 V	440 V
Max. current	16,0 A	16,0 A
Utilisation category		
In accordance with the standard	EN 60947-5-1	EN 60947-5-1
Utilisation category of safety con- tacts		
AC15 at	230 V	230 V
Max. current	3,0 A	3,0 A
DC13 (6 cycles/min) at	24 V	24 V
Max. current	2,0 A	2,0 A
Conventional thermal current	16,0 A	16,0 A
<b>Environmental data</b>	<b>400520</b>	<b>400521</b>
Ambient temperature		
Temperature range	-30 - 70 °C	-30 - 70 °C
Rated insulation voltage	600 V	600 V
Protection type		
Housing	IP65	IP65
<b>Mechanical data</b>	<b>400520</b>	<b>400521</b>
Connection type	Screw terminal	Screw terminal
Dimensions		
Height	72,0 mm	72,0 mm
Width	72,0 mm	72,0 mm
Depth	103,0 mm	103,0 mm
Weight	162 g	172 g

Where standards are undated, the 2013-05 latest editions shall apply.

**Safety characteristic data****NOTICE**

You must comply with the safety-related characteristic data in order to achieve the required safety level for your plant/machine.

Safety characteristic data	
B10d in accordance with EN ISO 13849-1 and EN 62061	181.500
Lambda <sub>d</sub> /Lambda in accordance with EN 62061	0,20

**Order reference****Product****E-STOP sets**

Product type	Features	Order no.
PIT es Set3.1	PIT es3.11 + PIT esb1.2	400 510
PIT es Set3.2	PIT es3.11 + PIT esb1.3	400 511
PIT es Set4.1	PIT es3.11 + PIT es box + PIT esb2.2	400 520
PIT es Set4.2	PIT es3.11 + PIT es box + PIT esb2.3	400 521

**Individual contact blocks**

Product type	Features	Order no.
PIT esc1	1 safe N/C, screw terminal	400 315
PIT esc2	1 N/C, screw terminal	400 320
PIT esc3	1 N/O, screw terminal	400 310

**Contact block sets**

Product type	Features	Order no.
PIT esb1.1	1 safe N/C, screw terminal	400 305
PIT esb1.2	1 safe N/C, 1 N/C, screw terminal	400 301
PIT esb1.3	1 safe N/C, 1 N/C, 1 N/O, screw terminal	400 304
PIT esb1.4	1 N/C, 1 N/O, screw terminal	400 307
PIT esb2.1	1 N/C, screw terminal	400 300
PIT esb2.2	2 N/C, screw terminal	400 302
PIT esb2.3	2 N/C, 1 N/O, screw terminal	400 303
PIT esb2.4	1 N/C, 1 N/O, screw terminal	400 306

**Actuator**

Product type	Features	Order no.
PIT es2.11	Standard actuator, black	400 110
PIT es2.12	Actuator with key-release, black	400 111
PIT es2.13	Illuminated actuator, black	400 112
PIT es5.12	Actuator with key-release and protective collar, red, no Pilz inscription on the actuator	400 601

**Accessories****Contact block brackets**

Product type	Features	Order no.
PIT MHR3	Bracket for containing 3 contact blocks	400 330
PIT MHR5	Bracket for containing 5 contact blocks	400 340

**E-STOP box**

Product type	Features	Order no.
PIT es box 72 x 72 x 61 mm	Surface mount housing IP67, protection class II, cable gland 2 x M16	400 200

**EC declaration of conformity**

This product/these products meet the requirements of the directive 2006/42/EC for machinery of the European Parliament and of the Council. The complete EC Declaration of Conformity is available on the Internet at [www.pilz.com/downloads](http://www.pilz.com/downloads).

Representative: Norbert Fröhlich, Pilz GmbH & Co. KG, Felix-Wankel-Str. 2, 73760 Ostfildern, Germany

# ► Support

Technical support is available from Pilz round the clock.

## Americas

**Brazil**  
+55 11 97569-2804

**Canada**  
+1 888-315-PILZ (315-7459)

**Mexico**  
+52 55 5572 1300

**USA (toll-free)**  
+1 877-PILZUSA (745-9872)

## Asia

**China**  
+86 21 60880878-216

**Japan**  
+81 45 471-2281

**South Korea**  
+82 31 450 0680

## Australia

+61 3 95446300

## Europe

**Austria**  
+43 1 7986263-0

**Belgium, Luxembourg**  
+32 9 3217575

**France**  
+33 3 88104000

**Germany**  
+49 711 3409-444

**Ireland**  
+353 21 4804983

**Italy**  
+39 0362 1826711

## Scandinavia

+45 74436332

## Spain

+34 938497433

## Switzerland

+41 62 88979-30

## The Netherlands

+31 347 320477

## Turkey

+90 216 5775552

## United Kingdom

+44 1536 462203

## You can reach our international hotline on:

+49 711 3409-444  
support@pilz.com

Pilz develops environmentally-friendly products using ecological materials and energy-saving technologies. Offices and production facilities are ecologically designed, environmentally-aware and energy-saving. So Pilz offers sustainability, plus the security of using energy-efficient products and environmentally-friendly solutions.

*Energy saving by Pilz*



### The 4-fold safety of automation



Pilz GmbH & Co. KG  
Felix-Wankel-Straße 2  
73760 Ostfildern, Germany  
Tel.: +49 711 3409-0  
Fax: +49 711 3409-133  
info@pilz.com  
www.pilz.com

**PILZ**  
THE SPIRIT OF SAFETY