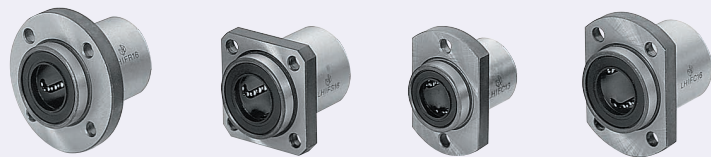


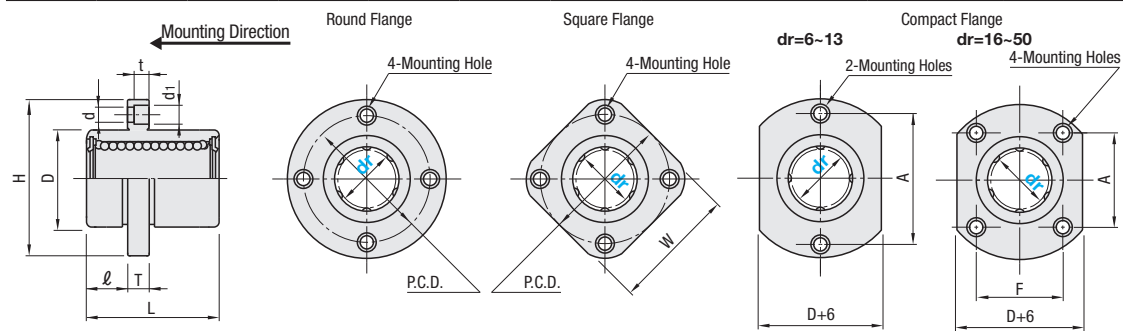
Flanged Linear Bushings - Standard

Single, Pilot



RoHS

Type			Outer Cylinder			Balls	Retainer	Ambient Operating Temp.	Accessories
Round Flange	Square Flange	Compact Flange	Material	Hardness	Surface Treatment	Material	Material		
LHIFR	LHIFS	LHIFC	52100 Bearing Steel	58HRC~	-	52100 Bearing Steel	Plastic (Duracon M90)	-20~ 80°C	Seal M Material Nitrile Rubber (-20~120°C)
LHIFRF	LHIFSF	LHIFCF					Stainless Steel (Stainless Steel)	-20~110°C	
LHIFRM	LHIFSM	LHIFCM					Plastic (Duracon M90)	-20~ 80°C	
LHIFRMF	LHIFSMF	LHIFCMF	Stainless Steel (Stainless Steel)	-20~110°C					
SLHIFR	SLHIFS	SLHIFC	440C Stainless Steel	56HRC~	-	440C Stainless Steel	Plastic (Duracon M90)	-20~ 80°C	
SLHIFRS	SLHIFSS	SLHIFCS					Stainless Steel (Stainless Steel)	-20~120°C	



dr	Tolerance	D Tolerance		L Tolerance	l	H	T	d	d1	t	P.C.D.	W	F	A	Eccentricity	Rows of Balls	Perpendicularity	Basic Load Rating			Mass (g)		
		No Surface Treatment	Surface Treatment															C (Dynamic) N	Co (Static) N	Round Flange	Square Flange	Compact Flange	
6		12	0	19	±0.3	5	28	5	3.5	6	3.1	20	22	-	20	0.012	4	0.012	206	265	24	18	21
8		15	-0.013	24		40	32	5	3.5	6	3.1	24	25	-	24				265	380	37	29	33
10	0	19	-0.018	29		42	32	6	4.5	7.5	4.1	29	30	-	29				372	549	72	52	64
12	-0.009	21	0	30		43	32	6	4.5	7.5	4.1	32	32	-	32				412	598	76	57	68
13		23	-0.016	32		43	34	6	4.5	7.5	4.1	33	34	-	33				510	784	88	72	81
16		28	-0.021	37		48	37	6	4.5	7.5	4.1	38	37	22	31				775	1180	120	104	112
20		32	0	42		54	42	8	5.5	9	5.1	43	42	24	36				882	1370	180	145	167
25	-0.010	40	-0.019	59		62	40	8	5.5	9	5.1	51	50	32	40				980	1570	340	300	325
30		45	-0.025	64		74	45	10	6.6	11	6.1	60	58	35	49				1570	2740	470	375	388
35		52	0	70		82	64	10	6.6	11	6.1	67	64	38	55				1670	3140	650	560	575
40	0	60	0	80		96	75	13	9	14	8.1	78	75	45	64				2160	4020	1060	880	913
50	-0.012	80	-0.030	100		116	92	13	9	14	8.1	98	92	56	80				3820	7940	2200	2000	2037

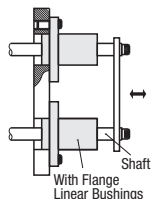
For Precautions for Use, see P266. Height-Adjusting Spacers for Flanged Bushings can be chosen from P286. * Perpendicularity of D to flange mounting surface kgf=Nx0.101972

Price [Configure Online](#)

dr	Unit Price																		
	Round Flange				Square Flange				Compact Flange										
	LHIFR	LHIFRF	LHIFRM	LHIFRMF	SLHIFR	SLHIFRS	LHIFS	LHIFSF	LHIFSM	LHIFSMF	SLHIFS	SLHIFSS	LHIFC	LHIFCF	LHIFCM	LHIFCMF	SLHIFC	SLHIFCS	
6																			
8																			
10																			
12																			
13																			
16																			
20																			
25																			
30																			
35																			
40																			
50																			

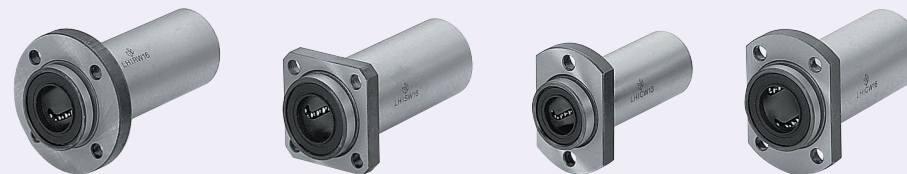
Ordering Example: Part Number LHIFR20, LHIFR20L (L Type Greased), LHIFR20G (G Type Greased), LHIFR20H (H Type Greased). Alternative grease types available. For Days to Ship, Price and Performance, see P266.

Days to Ship [Configure Online](#)



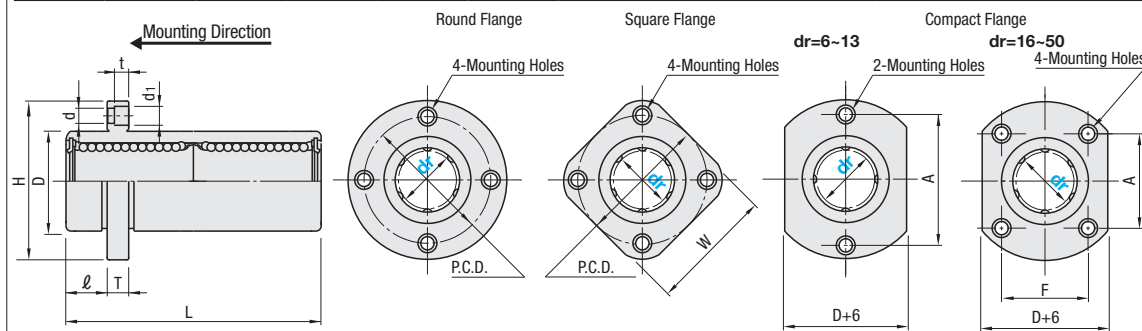
Flanged Linear Bushings - Standard

Double, Pilot



RoHS

Type			Outer Cylinder			Balls	Retainer	Ambient Operating Temp.	Accessories
Round Flange	Square Flange	Compact Flange	Material	Hardness	Surface Treatment	Material	Material		
LHIRW	LHISW	LHICW	52100 Bearing Steel	58HRC~	-	52100 Bearing Steel	Plastic (Duracon M90)	-20~ 80°C	Seal M Material Nitrile Rubber (-20~120°C)
LHIRWF	LHISWF	LHICWF					Stainless Steel (Stainless Steel)	-20~110°C	
LHIRWM	LHISWM	LHICWM					Plastic (Duracon M90)	-20~ 80°C	
LHIRWMF	LHISWMF	LHICWMF	Stainless Steel (Stainless Steel)	-20~110°C					
SLHIRW	SLHISW	SLHICW	440C Stainless Steel	56HRC~	-	440C Stainless Steel	Plastic (Duracon M90)	-20~ 80°C	
SLHIRWS	SLHISWS	SLHICWS					Stainless Steel (Stainless Steel)	-20~120°C	



dr	Tolerance	D Tolerance		L Tolerance	l	H	T	d	d1	t	P.C.D.	W	F	A	Eccentricity	Rows of Balls	Perpendicularity	Basic Load Rating			Mass (g)			
		No Surface Treatment	Surface Treatment															C (Dynamic) N	Co (Static) N	Round Flange	Square Flange	Compact Flange		
6		12	0	35	±0.3	5	28	5	3.5	6	3.1	20	22	-	20	0.015	4	0.015	324	529	2.18	31	25	28
8		15	-0.013	45		40	32	5	3.5	6	3.1	24	25	-	24				431	784	4.31	51	43	47
10	0	19	-0.018	55		42	32	6	4.5	7.5	4.1	29	30	-	29				588	1100	7.24	98	78	90
12	-0.010	21	0	57		43	32	6	4.5	7.5	4.1	32	32	-	32				657	1200	10.9	110	90	102
13		23	-0.016	61		43	34	6	4.5	7.5	4.1	33	34	-	33				813	1570	11.6	130	108	123
16		28	-0.021	70		48	37	6	4.5	7.5	4.1	38	37	22	31				1230	2350	19.7	190	165	182
20		32	0	80		54	42	8	5.5	9	5.1	43	42	24	36				1400	2740	26.8	260	225	247
25	-0.012	40	-0.019	123		62	40	8	5.5	9	5.1	51	50	32	40				1560	3140	43.4	540	500	525
30		45	-0.025	123		74	45	10	6.6	11	6.1	60	58	35	49				2490	5490	82.8	680	590	645
35		52	0	135		82	64	10	6.6	11	6.1	67	64	38	55				2650	6270	110	1020	930	945
40	0	60	0	151		96	75	13	9	14	8.1	78	75	45	64				3430	8040	147	1570	1380	1423
50	-0.015	80	-0.030	192		116	92	13	9	14	8.1	98	92	56	80				6080	15900	397	3600	3400	3437

For Precautions for Use, see P266. Height-Adjusting Spacers for Flanged Bushings can be chosen from P286. * Perpendicularity of D part to flange mounting surface kgf=Nx0.101972

Price [Configure Online](#)

dr	Unit Price																		
	Round Flange				Square Flange				Compact Flange										
	LHIRW	LHIRWF	LHIRWM	LHIRWMF	SLHIRW	SLHIRWS	LHISW	LHISWF	LHISWM	LHISWMF	SLHISW	SLHISWS	LHICW	LHICWF	LHICWM	LHICWMF	SLHICW	SLHICWS	
6																			
8																			
10																			
12																			
13																			
16																			
20																			
25																			
30																			
35																			
40																			
50																			

Ordering Example: Part Number LHIRW8, LHIRW8L (L Type Greased), LHIRW8G (G Type Greased), LHIRW8H (H Type Greased). Alternative grease types available. For Days to Ship, Price and Performance, see P266.

Days to Ship [Configure Online](#)

