



RKH

Stainless steel ball valves



Dimensions: DN04 to DN50

body: stainless steel (1.4571/316Ti)
ball + stem: stainless steel (1.4571/316Ti)
sealing: plastics, metal

Adapter:

BSP thread, NPT thread, compression fitting light and heavy series, UNC/UNF female thread, bulkhead connection, welding end and welding taper

Pressure range:

up to PN400 (note table of dimensions)

Field of application:

chemical and petrochemical industry, paint industries, environmental installations, off-shore, water, pharma, bio and food industry, gas industry (Coating seals and body materials adapted to application!)

Temperature range:

standard: -20°C to +60°C (-4 to +140°F)

Surface:

uncoated

Special equipment on request!

- locking device
- actuators
- base plate
- position switches
- detent kits
- special materials



ARKH wafer type with welding ends



ARKH with welding ends

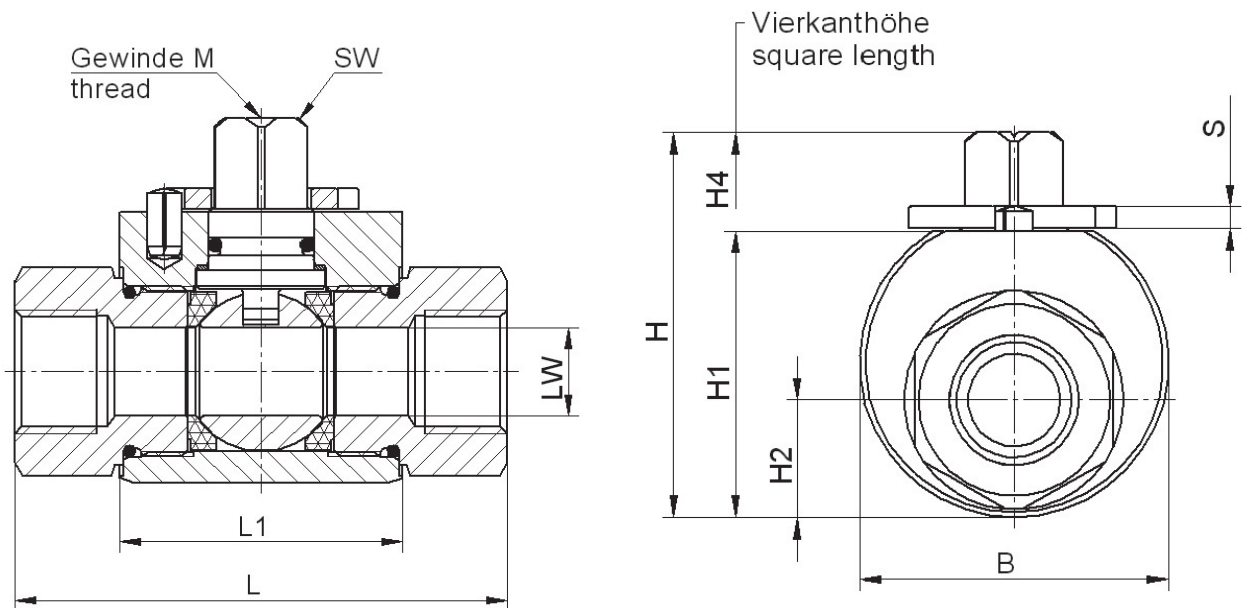


RKH with cover



RKH with actuator

Body dimensions without cover



DN mm	LW mm	PN ¹⁾ bar	L1 mm	B mm	H mm	H1 mm	H2 mm	H4 mm	SW mm	M	S mm
4	Ø 5	400	36,2	Ø 35	43,6	32,2	13	11	9	M5	3
6	Ø 6	400	36,2	Ø 35	43,6	32,2	13	11	9	M5	3
8	Ø 8	400	36,2	Ø 35	43,6	32,2	13	11	9	M5	3
10	Ø 10	400	43,2	Ø 42	49,5	38,25	16,5	10,9	9	M5	3
13	Ø 13	400	48,2	Ø 45	52	40,75	18	10,9	9	M5	3
16	Ø 15	400	48,2	Ø 50	62,5	46,3	19	15,5	12	M6	3,5
20	Ø 20	350	62,2	Ø 60	74,4	57,8	25,5	16	14	M6	4
25	Ø 24	350	66,2	Ø 65	79,2	62,8	28	16	14	M6	4
32	Ø 32	400	81,6	Ø 90	103	84	38,1	18,5	17	M8	5
40	Ø 38 ¹⁾	400	86,6	Ø 100	114,9	95,9	45,5	18,5	17	M8	5
50	Ø 47,5	400	101,6	Ø 115	129,5	110,5	52,5	18,5	17	M8	5

¹⁾

Not valid for ARKH, please consider the page welding adapter for further specifications. • For PN max. and tightening torque see data of the compression fitting manufacturer. • Reduced press. rating must be taken into consideration acc. to application and materials. • Dimensions subject to change without notice.

Bestellschlüssel

Order code

Serie 020	Anschluss ²⁾	Nennweite	Werkstoff ³⁾	Zubehör / Sonder ³⁾ siehe Rubrik Zubehör
Series 020	Connection ²⁾	Nominal size	Material ³⁾	Equipment / specials ³⁾ see category equipment
RKH	35L	32	4423	E5

²⁾

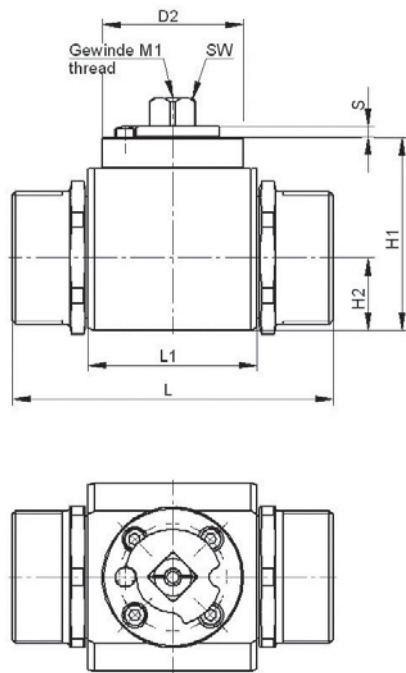
left and right side connectors can be used in any combination

³⁾

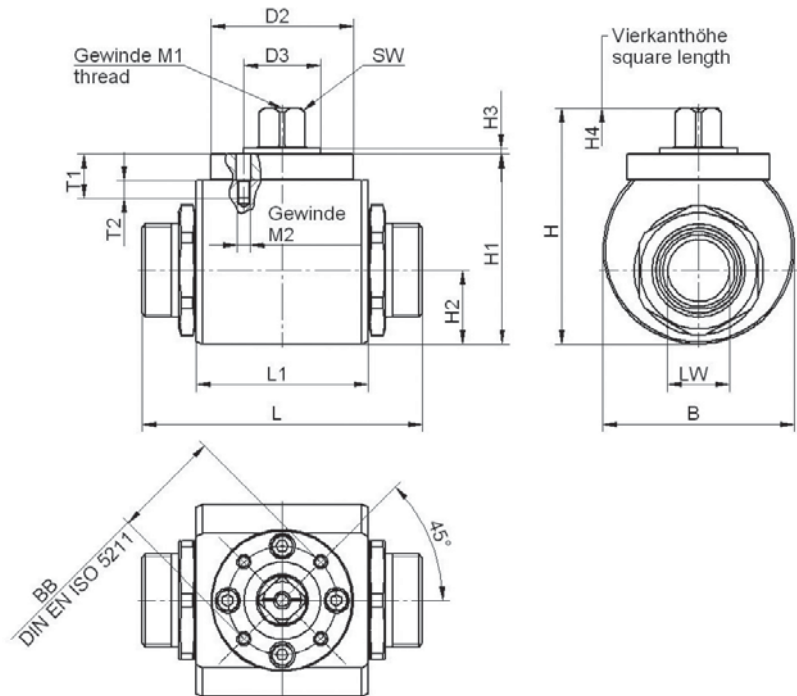
We would be glad helping you to choose proper material and equipment.

Body dimensions with cover for actuator (DfA) or handle mounting (DfG)

Cover for handle mounting (DfG)



Cover for actuator mounting (DfA)



DN mm	LW mm	PN ¹⁾ mm	L1 mm	B mm	H mm	H1 mm	H2 mm	H4 mm	SW mm	M1	D2 mm	T1 mm	T2 mm	M2	BB		D3 mm	H3 mm	S mm
															ISO	mm			
10	Ø 10	400	43,2	Ø 50	56,5	45,8	17,5	10,3	9	M5	Ø 50	12	6	M5	F03	Ø 36	Ø 25	2	3
13	Ø 13	400	48,2	Ø 55	60,5	49,8	20,5	10,3	9	M5	Ø 50	12	6	M5	F03	Ø 36	Ø 25	2	3
16	Ø 15	400	48,2	Ø 60	68,1	55,3	21,5	12,3	12	M6	Ø 50	13	6,5	M5	F03	Ø 36	Ø 25	2	3,5
20	Ø 20	400	62,2	Ø 70	87,3	69,8	27	15	14	M6	Ø 55	17,3	7	M5	F04	Ø 42	Ø 30	2	4
25	Ø 24	400	66,2	Ø 75	91,6	74,1	29	15	14	M6	Ø 55	17,3	7	M5	F04	Ø 42	Ø 30	2	4
32	Ø 32	400	81,6	Ø 95	119,3	98,3	39,5	18,5	17	M8	Ø 65	20,6	8	M6	F05	Ø 50	Ø 35	2	5
40	Ø 38	400	86,6	Ø 105	129,8	108,8	45,5	18,5	17	M8	Ø 65	20,6	8	M6	F05	Ø 50	Ø 35	2	5
50	Ø 47.5	400	101,6	Ø 120	145,8	124,8	54	18,5	17	M8	Ø 65	20,6	8	M6	F05	Ø 50	Ø 35	2	5

1)

For PN max. and tightening torque see data of the compression fitting manufacturer.

• Reduced press. rating must be taken into consideration acc. to application and materials. • Dimensions subject to change without notice.

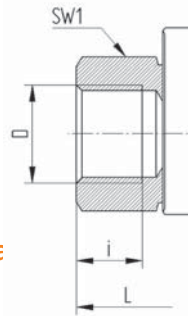
Ordering example:

RKH 35L 32 4423 **DfG** (Deckel für Griff • for handle mounting)

RKH 35L 32 4423 **DfA** (Deckel für Antrieb • for actuator mounting)

Screw sockets for RKH

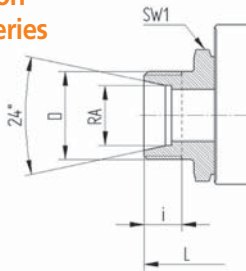
Connection



BSP female thread
DIN/ISO 228

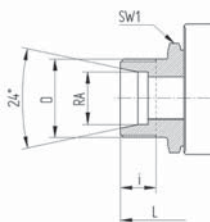
DN	LW	Gewindegröße • Screw size Bestellschlüssel • Order code	Gewindegröße bei DIN2353 • Screw size for DIN2353	L	i	SW1	Gewicht Weight
mm	mm		mm	mm	mm	mm	kg
4	Ø 5	G 1/8	—	69	8	22	0,35
6	Ø 6	G 1/4	—	69	12	22	0,35
10	Ø 8	G 3/8	—	69	12	22	0,35
10	Ø 10	G 3/8	—	73	12	27	0,5
13	Ø 13	G 1/2	—	85	14	30	0,65
16	Ø 15	G 1/2	—	84	14	32	0,75
20	Ø 20	G 3/4	—	96	16	41	1,5
25	Ø 24	G 1	—	113	18	46	2
32	Ø 24	G 5/4	—	121	20	50	2,1
40	Ø 24	G 3/2	—	124	22	55	2,1
32	Ø 32	G 5/4	—	110	20	60	3,8
40	Ø 32	G 3/2	—	135	22	60	3,8
40	Ø 38	G 3/2	—	120	22	70	6,1
50	Ø 38	G 2	—	147	24	75	6,1
50	Ø 48	G 2	—	140	24	85	9,1

For compression fitting, light series
DIN 2353 L



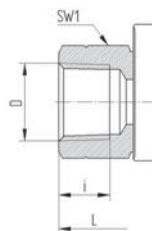
4	Ø 5	6L	M 12x1,5	67	7,5	22	0,3
6	Ø 6	8L	M 14x1,5	67	7,5	22	0,3
8	Ø 8	10L	M 16x1,5	71	8,5	22	0,3
10	Ø 8	12L	M 18x1,5	71	8,5	22	0,3
10	Ø 10	12L	M 18x1,5	75	8,5	27	0,5
13	Ø 10	15L	M 22x1,5	77	9,5	27	0,5
13	Ø 13	15L	M 22x1,5	84	9,5	30	0,6
16	Ø 13	18L	M 26x1,5	84	9,5	30	0,6
16	Ø 13	15L	M 22x1,5	83	9,5	32	0,75
16	Ø 15	18L	M 26x1,5	83	9,5	32	0,75
20	Ø 20	22L	M 30x2	102	12	41	1,5
25	Ø 24	28L	M 36x2	108	12	46	2
32	Ø 24	35L	M 45x2	114	13,5	50	2,1
40	Ø 24	42L	M 52x2	114	13,5	55	2,2
32	Ø 32	35L	M 45x2	128	13,5	60	3,6
40	Ø 32	42L	M 52x2	128	13,5	60	3,6
40	Ø 38	42L	M 52x2	133	13,5	70	5,9

For compression fitting, heavy series
DIN 2353 S



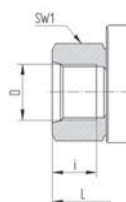
4	Ø 5	8S	M 16x1,5	73	9,5	22	0,35
6	Ø 6	10S	M 18x1,5	73	9,5	22	0,35
8	Ø 8	12S	M 20x1,5	77	9,5	22	0,35
10	Ø 10	14S	M 22x1,5	84	11,5	27	0,5
13	Ø 13	16S	M 24x1,5	87	11,5	30	0,6
16	Ø 13	20S	M 30x2	91	13,5	30	0,65
16	Ø 13	16S	M 24x1,5	87	11,5	32	0,75
16	Ø 15	20S	M 30x2	91	13,5	32	0,75
20	Ø 20	25S	M 36x2	110	15	41	1,5
25	Ø 24	30S	M 42x2	120	17	46	2,1
32	Ø 24	38S	M 52x2	125	19	55	2,3
32	Ø 32	38S	M 52x2	140	19	60	3,7

NPT female thread
ANSI B 1.20.1



4	Ø 5	1/8 NPT	—	69	8	22	0,35
6	Ø 6	1/4 NPT	—	69	11,5	22	0,35
10	Ø 10	3/8 NPT	—	73	12	27	0,5
13	Ø 13	1/2 NPT	—	92	15,5	30	0,65
20	Ø 20	3/4 NPT	—	97	16	41	1,5
25	Ø 24	1 NPT	—	113	19	46	2
32	Ø 24	5/4 NPT	—	131	19,5	50	2,1
40	Ø 24	3/2 NPT	—	139	19,5	55	2,3
32	Ø 32	5/4 NPT	—	115	19,5	60	3,8
40	Ø 38	3/2 NPT	—	135	19,5	70	6,1
50	Ø 48	2 NPT	—	140	20	85	9,1

UN/UNF female thread
SAE J514



6	Ø 6	7/16 - 20 UNF-2B	—	69	11,5	22	0,35
10	Ø 10	9/16 - 18 UNF-2B	—	75	12,7	27	0,5
13	Ø 13	3/4 - 16 UNF-2B	—	85	14,3	30	0,65
16	Ø 15	7/8 - 14 UNF-2B	—	84	16,7	32	0,75
20	Ø 20	1 1/16 - 12 UN-2B	—	96	19	41	1,5
25	Ø 24	1 5/16 - 12 UN-2B	—	114	19	46	2
32	Ø 32	1 5/8 - 12 UN-2B	—	110	19	60	3,8
40	Ø 38	1 7/8 - 12 UN-2B	—	117	19	70	6,1
50	Ø 48	2 1/2 - 12 UN-2B	—	140	19	80	9,1