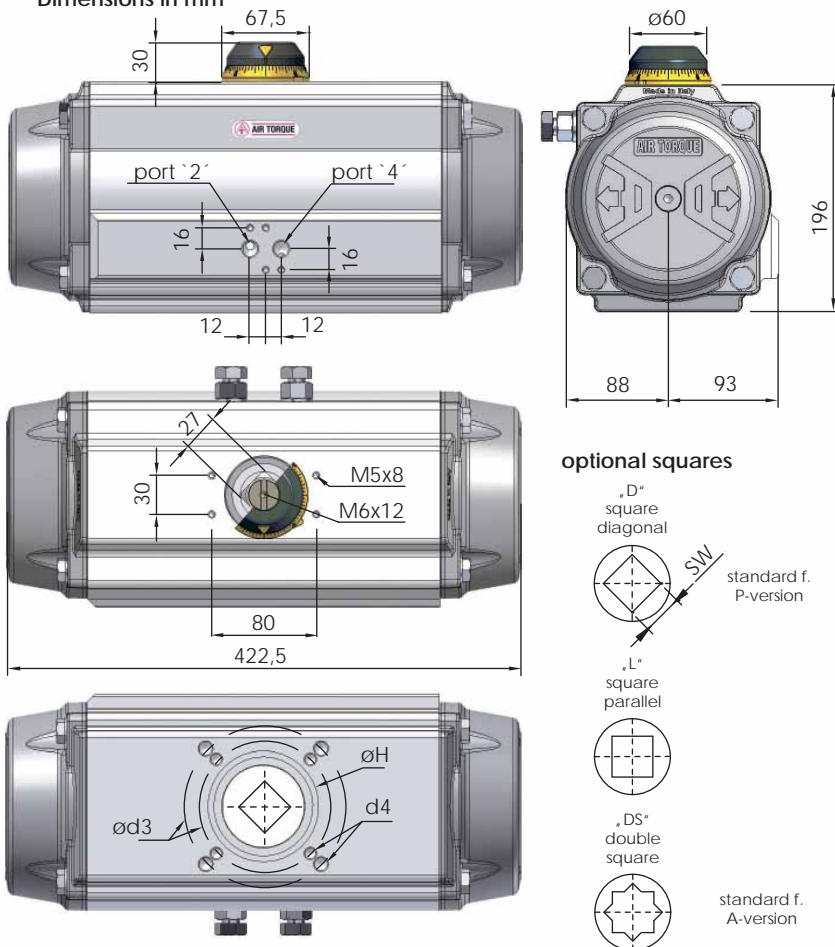




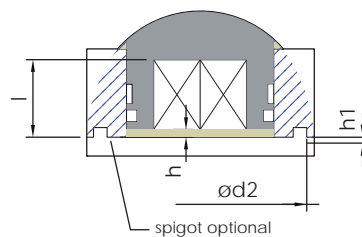
Dimensions in mm



ISO 5211 - available flanges

ISO 5211	Standard		optional
	F10* + F12	F12	F12
Ø d2	70	-	85
d3	102	125	125
Ø d4	M10x15	M12x18	M12 x 18
Ø H	70		85
SW x l min.	D	-	22 x 40 - 27 x 29
	DS	27 x 40	27 x 40
h min.	1,5	1,5	1,5
h1	3	-	1,5

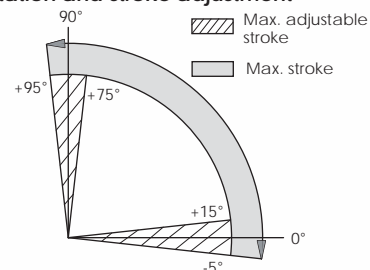
*before selecting the flange connection please consider the indications of standard n° 5211 on page 0911 of our manual for op. and maintenance



Connection / Attachment

Pressure connection Port 2 and 4	G1/4"
Ancillaries attachment	AA 2

Rotation and stroke adjustment



Pressure	Output torque for double acting and spring return in Nm												Spring torque	approx. weight in kg										
	2,5 bar		3 bar		3,5 bar		4 bar		4,2 bar		4,5 bar				5 bar		5,5 bar		6 bar		7 bar		8 bar	
	0°	90°	0°	90°	0°	90°	0°	90°	0°	90°	0°	90°			0°	90°	0°	90°	0°	90°	0°	90°	0°	90°
DR	284	340	397	454	477	511	567	624	681	794	908	-	17,8											

SC 2/3	171	118	228	174	285	231	342	288	364	310	398	344	455	401									166	112	19,3				
SC 3	149	84,3	206	141	262	198	319	255	342	277	376	311	433	368	489	425									199	135	19,6		
SC 3/4			183	108	240	165	297	221	319	244	353	278	410	335	467	391	524	448								233	157	19,9	
SC 4					218	131	274	188	297	211	331	245	388	302	444	358	501	415	615	528							266	180	20,2
SC 4/5					252	155	275	178	309	212	365	268	422	325	479	382	592	495	706	609							299	202	20,5
SC 5									286	178	343	235	400	292	456	349	570	462	683	575							332	224	20,8
SC 5/6											320	202	377	259	434	315	547	429	661	542							365	247	21,1
SC 6													355	225	411	282	525	396	638	509							399	269	21,4

Pressure max.	Rotation (STD) (C)	Screw stroke adjustment	Chamber Ø (mm)	Air volume (L)		Moving time (sec.) (A)	
				OPEN	CLOSE	OPEN	CLOSE
8 bar	0° - 90°	for 1° / 1/4 rotation	160	3,14	4,92	D 1,5 S 1,8	D 1,7 S 2,1

Operating Temperature (°C) (B)		
ST (Standard)	HT (High temperature)	LLT (Extreme low temperature)
- 40 to + 80	- 15 to + 150	- 55 to + 80

(A) the above indicated moving time of the actuator is obtained under the following test conditions: (1) room temperature, (2) actuator stroke 90°, (3) solenoid valve with Ø 4 mm and flow capacity Qn 400 L/min., (4) inside pipe Ø 8 mm, (5) medium clean air, (6) air supply pressure 5,5 bar (79,75 Psi), (7) actuator without external resistance load. **Caution:** It has to be expected, e.g. for field applications, when one or more of the above parameters are different, the moving time will be different.

Operating Medium:

The operating medium must be free of dust and oil. The maximum particle size must not exceed 30µ. (ISO 8573 Part1, Class5). In order to prevent water condensation and/or solidification (ice when actuator works below 0°C), the operating medium must have a dew point equal to -20°C or at least 10°C below the ambient temperature (ISO 8573 Part1, Class3)

(B) Every temperature range option requires proper components and lubricant. Please contact Air Torque GmbH.